

# ADC Series

## Desiccant Wheel Dryer

### Technical Specifications

Since 1957, AEC has been the leader in drying equipment for the plastics processing industry. The ADC Series Desiccant Wheel Dryer leverages the AEC legacy and expertise to provide a system that is suited for most drying applications including extrusion, injection molding, and blow molding.

The ADC Series Dryer combines the efficiency of a wheel dryer with an integrated pneumatic conveying system, a receiver for the drying hopper, a receiver for the IMM and all related accessories. The ADC Series is particularly suitable as an independent flexible dryer to be positioned next to the processing machine.



### Features

#### Standard Features

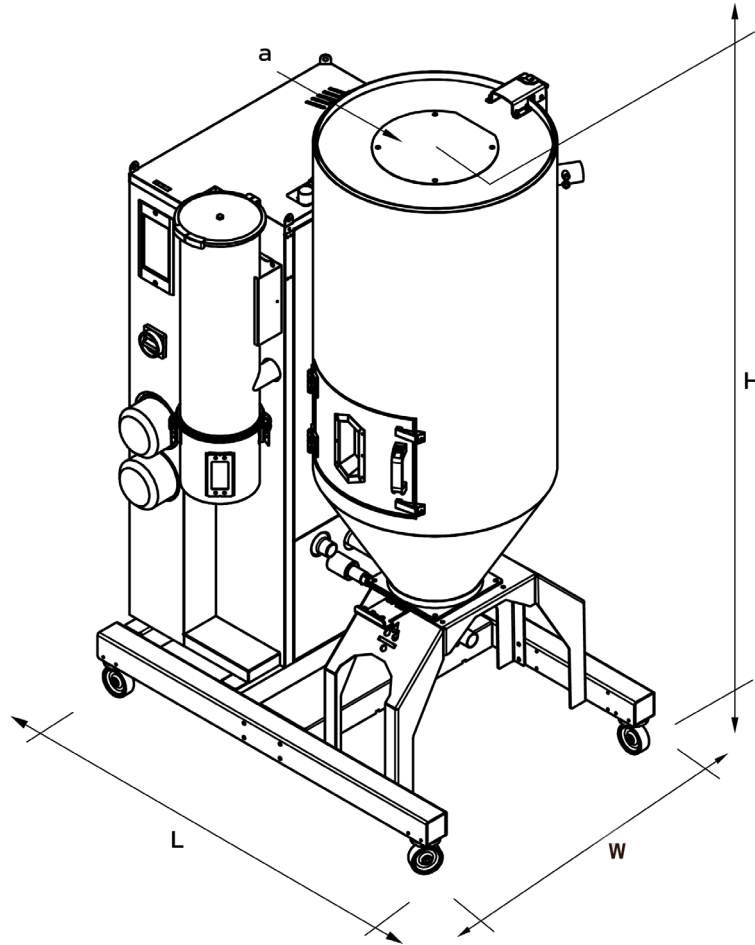
- Drying temperatures up to 356°F
- Constant and adjustable dew point of down to -58°F
- Energy monitoring system, saving up to 40% or more
- No need for compressed air. No need for cooling water
- Automatic or manual adjustable process air flow
- 7" vertical touchscreen display with viewing angle, large capacitive screen with immediate response, clear and bright; intuitive user-oriented interface
- Material selection table with pre-set or programmable drying parameters
- Visual and audible alarm
- Smart Mode: automatic adaption of the drying process to the production needs by monitoring the return air temperature - no waste of energy
- MPM (Material Protection Management): protects the material from over drying and degradation by monitoring the loading system or return air temperature
- SLS (Safety Loading System): prevents that undried material is reaching the production machine by monitoring the drying time
- 5 Year warranty on the desiccant wheel.
- Pneumatic conveying with double stage brushless blower and cyclone/fabric filter

- Air heat exchanger for the conveying of hot materials in closed circuit and automatic circuit valves
- ASPUL suction valve which also integrates the line cleaning valve
- Compact frame with side access for the hopper unloading
- Receivers 2 - 4 liters for ADC 25
- Receivers 6 liters for ADC 50-80

#### Optional Features

- Integrated or external portable dew point sensor
- Automatic throughput control in combination with HALO

## Specifications



Model	Hoppers Ft <sup>3</sup>	Dimensions in Inches (mm)			Door	Filter	"a" In. (mm)	Weight lbs (kg)
		L	W	H				
ADC 25	1.05 (30)	45 (1140)	32 (790)	52 (1298)	no	fabric	11" (280)	805 (229)
ADC 25	1.7 (50)	45 (1140)	32 (790)	62 (1573)	yes	fabric		
ADC 50	2.6 (75)	45 (1140)	32 (790)	63 (1603)	yes	cyclone - fabric		
ADC 50	3.5 (100)	45 (1140)	32 (790)	72 (1823)	yes	cyclone - fabric		
ADC 50	5.3 (150)	45 (1140)	32 (790)	76 (1928)	yes	cyclone - fabric		
ADC 80	3.5 (100)	45 (1140)	32 (790)	72 (1823)	yes	cyclone - fabric		
ADC 80	5.3 (150)	45 (1140)	32 (790)	76 (1928)	yes	cyclone - fabric		
ADC 80	7.1 (200)	45 (1140)	32 (790)	88 (2242)	yes	cyclone - fabric		

Model	Diameter	Hopper (L)	Voltage	Heating Power	Regen. Power	Conveying Power	Total Power
ADC 25	40	30 - 50	400V 50-60Hz/3Ph	1.0 kW	1.0 kW	1.1 kW	3.2 kW
ADC 25	38	30 - 50	460V 50-60Hz/3Ph	1.0 kW	1.0 kW	1.1 kW	3.2 kW
ADC 50	40	75-100-150	400V 50-60Hz/3Ph	2.5 Kw	1.5 kW	1.1 kW	5.2 kW
ADC 50	38	75-100-150	460V 50-60Hz/3Ph	2.5 kW	1.5 kW	1.1 kW	5.2 kW
ADC 80	40	100-150-200	400V 50-60Hz/3Ph	3.5 kW	1.5 kW	1.1 kW	6.2 kW
ADC 80	38	100-150-200	460V 50-60Hz/3Ph	3.5 kW	1.5 kW	1.1 kW	6.2 kW