

# VFC & FC SERIES

## Filter Chambers



## Technical Specifications

Every AEC vacuum conveying system uses a remote central filter chamber to eliminate on-the-machine filter maintenance as well as to protect the vacuum pump from damage due to dust or particle ingestion.

For use with any AEC Vacuum pump, the VFC Cartridge-style filter chamber features a two-stage dust collector that incorporates a cyclonic vortex separation chamber with a large-capacity cartridge filter element to produce a highly efficient, low-maintenance filter.

The FC Series bag-style filter chambers are used with APDB power units with patented PulseJet™ Blowback for filter cleaning.

## Features

### Standard Features

#### VFC Series

- Mild steel construction
- Two stage cyclone/cartridge filter design
- 29" high floor stand for drum discharge
- Reverse pulse filter element
- Flapper dump valve and filter shroud

#### FC Series

- Mild steel construction
- 12 oz. glazed polyester felt bags
- Flapper dump valve with floor stand and dust shroud
- 45" floor stand with 38" clearance

### Optional Features

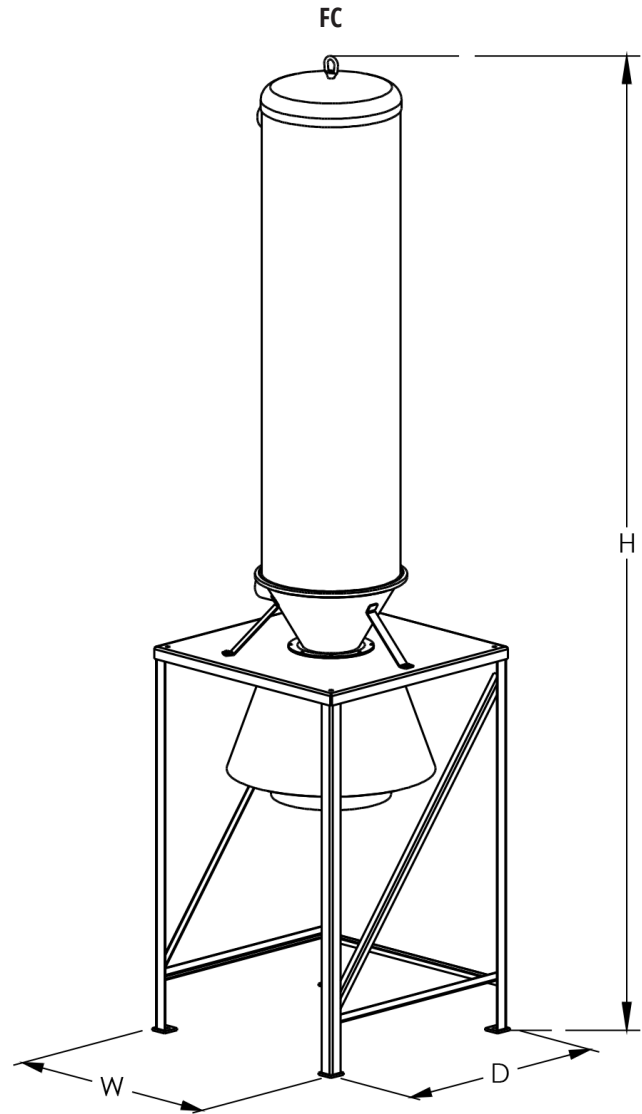
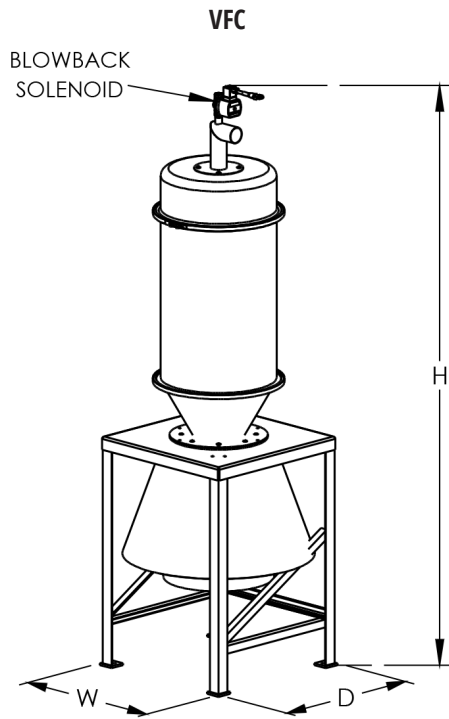
#### VFC SERIES

- 45" floor stand, 38" clearance
- Compressed air solenoid for blowback (less controls)
- Compressed air solenoid for blowback with stand-alone control assembly
- Removable dust can under the stand

#### FC SERIES

- Floor stand with manual dump valve
- Acrylic filter media
- Gore-Tex® filter media
- Enclosed floor stand
- Manual dump configuration

## Product Diagrams



## Specifications

Model	Filter Area sq. ft. (sq.m.)	Power unit HP (kW)	Line Size in. dia. OD	Height in. (mm)	Width in. (mm)	Depth in. (mm)	Ship Weight lbs. (kg)
VFC225	35 (3.25)	5, 7.5, 10, 15 (3.7, 5.6, 7.5, 11.2)	2", 2.5", 3", 3.5" (3" Sch.10)	73 (1854)	20 (508)	20 (508)	160 (73)
VFC1000	55 (5.11)	15, 20, 25, 30, 40, 50 (11.2, 14.9, 18.6, 22.4, 29.8, 37.3)	3", 3.5" (3" Sch.10), 4", 4.5" (4" Sch.10), 5, 5" Sch.10, 6" Sch.10	90 (2286)	26 (660)	26 (660)	200 (91)
FC15	14 (1.30)	5, 7.5, 10 (3.7, 5.6, 7.5)	2", 2.5", 3"	90 (2286)	28 (711)	28 (711)	120 (54)
FC30	30 (2.79)	10, 15 (7.5, 11.2)	3", 3.5" (3" Sch.10)	114 (2896)	28 (711)	28 (711)	160 (73)
FC55	55 (5.11)	20, 25, 30 (14.9, 18.6, 22.4)	4", 4.5" (4" Sch.10), 5", 5" Sch.10	127 (3226)	35 (889)	35 (889)	200 (91)