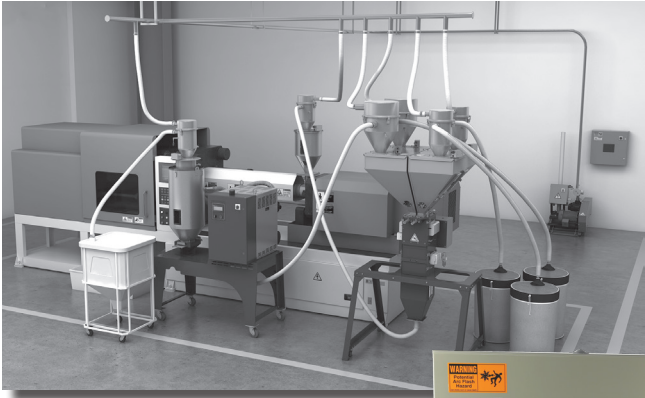


VacTrac® Plus Series

Conveying Control System





Technical Specifications

Vacuum conveying has never been as simple or versatile than with AEC's VacTrac® Plus Controller. AEC has succeeded in creating the most flexible and reliable discrete wired conveying controller on the market. The VacTrac® Plus provides ultra-flexible configurations with a seamless upgrade path. The number of pumps and receiver stations is customizable to fit processors' changing needs. If a plant expands, adding on more lines or reconfigures their operation, they can use the VacTrac® Plus controller without having to purchase a completely new system.

VacTrac® Plus can be upgraded by simply adding the required I/O modules and new software. Installation is made easy with a simple control setup that is swift and intuitive, bringing your system up and running faster than ever.

SYSTEM FLEXIBILITY

- Pumps and stations are user selectable to fit customer's changing needs.
- Designed for growing factories.
- Saves customers time and money.

SEAMLESS UPGRADE PATH

- Simply upgrade by adding i/o modules and new AEC software.
- Re-configure in less than 15 minutes.

ADVANCED CONTROLS

- Proprietary control algorithms.
- Widest offering of configurable features.

Features

Standard Features

- Allen Bradley Micro850® PLC
- High resolution 7" color touchscreen
- Customer assignable inputs and outputs
 - configurable pump and station combinations
- Built in VNC server allows remote hosting of the HMI (Requires network connection)
- Volume Fill or Time Fill Operation
- Automatic pump shutdown
- Filter blowback capabilities - including implosion style pump filters
- "No Convey" Alarm - Alerts a possible material line clog or empty material bin
- Pump oil change meter
- 115/1/60 Supply Voltage
- 24 VDC Control Voltage

- Ability to configure 6 different functions at each receiver station:
 - Blowback for each station
 - RPV Valve for each station
 - Knife gate output for each station
 - Local alarm for each station
 - Purge valve for each station
 - Low level alarm for each station

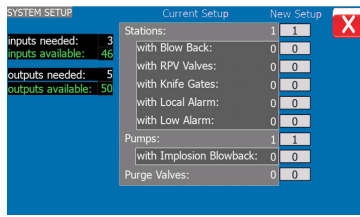
Optional Features

- Panel mounted audible/visual alarm
- Remote mounted audible/visual alarm
- Ethernet switch for Ethernet communication
- cULus Listed Control Assembly with Serialized Label
- Additional remote HMI
- 230/1/60 Supply Voltage

*VTC 1/1 and VTC 1/5 Models do not include all standard options as listed. Contact your sales representative for more details.

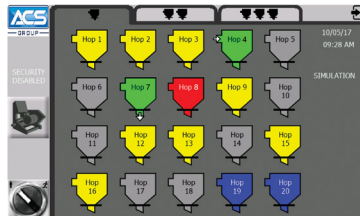
Advanced Controller

Robust, Easy-to-use Touch Screen.



System Setup

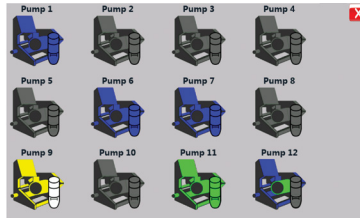
Easily configure the system to meet your needs.



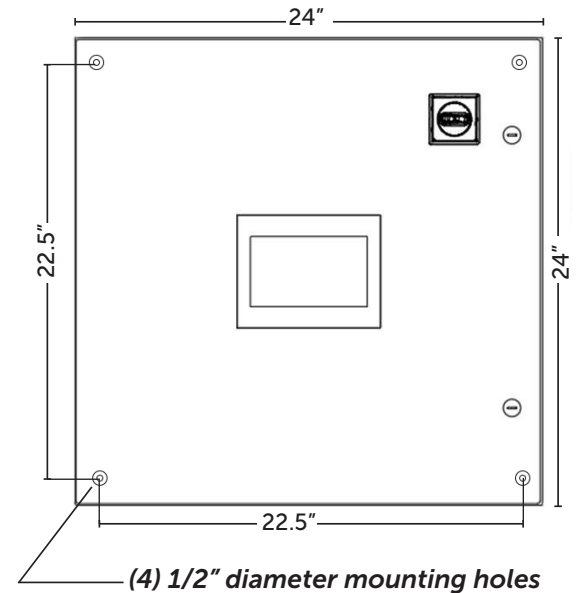
Status Screens

Provide real time monitoring of the full system with visual representations of all pumps & stations.

Color coded status indicators quickly identify current state of each pump and station, from ready and conveying, to in-demand, idle, disabled, or alarmed.



Outline Diagram



Specifications

Model*	Minimum Pump Configuration	Maximum Pump Configuration	Height in. (mm)	Width in. (mm)	Depth in. (mm)	Weight lbs. (kg)
VTC 1/1 ⁽¹⁾	1 Pump / 1 Station		10 (254)	8 (203)	6 (152)	12 (5.4)
VTC 1/5 ⁽²⁾	1 Pump / 5 Stations		16 (406)	16 (406)	6 (152)	20 (9.1)
VTC Plus1	1 Pump / 12 Stations	4 Pumps / 5 Stations	24 (610)	24 (610)	8.8 (224)	65 (29.5)
VTC Plus2	1 Pump / 28 Stations	8 Pumps / 9 Stations	24 (610)	24 (610)	8.8 (224)	69 (31.3)
VTC Plus3	1 Pump / 44 Stations	12 Pumps / 13 Stations	24 (610)	24 (610)	8.8 (224)	73 (33.1)

*VTC 1/1 and VTC 1/5 Models do not include all standard options as listed on front page. Contact your sales representative for more details.

(1) Solid Station Control Board - No Display, DIP Switch Settings. VTC 1/1 cannot control blowback output. Do not use for APDB or VTPB style vacuum pumps.
 (2) Mitsubishi Programmable Relay Controller, Number Display on Panel.

System Flexibility & Seamless Upgrade Path

One of the primary benefits of the AEC VacTrac® Plus Series is the sheer customization, as the number of pumps and receiver stations is configurable to meet changing factory needs.

The VacTrac® Plus allows users to purchase the control system required now with the knowledge that future expansion is not only possible, but simple and easily implemented.

