

VP SERIES

Vacuum Pump



Technical Specifications

The VP Series Vacuum Pumps provide a complete conveying system with controls, filter and blower all in one for a compact and versatile unit.

With more than 5 different filter types, the VP Series can convey pellets, regrind and dusty materials over short to medium distances and is available in open or closed-loop operation.

With a compact assembly as a stand-alone unit, the VP Series sets itself apart from the competition. It can be placed any where on the shop floor and has many configuration options to suit your needs.

Features

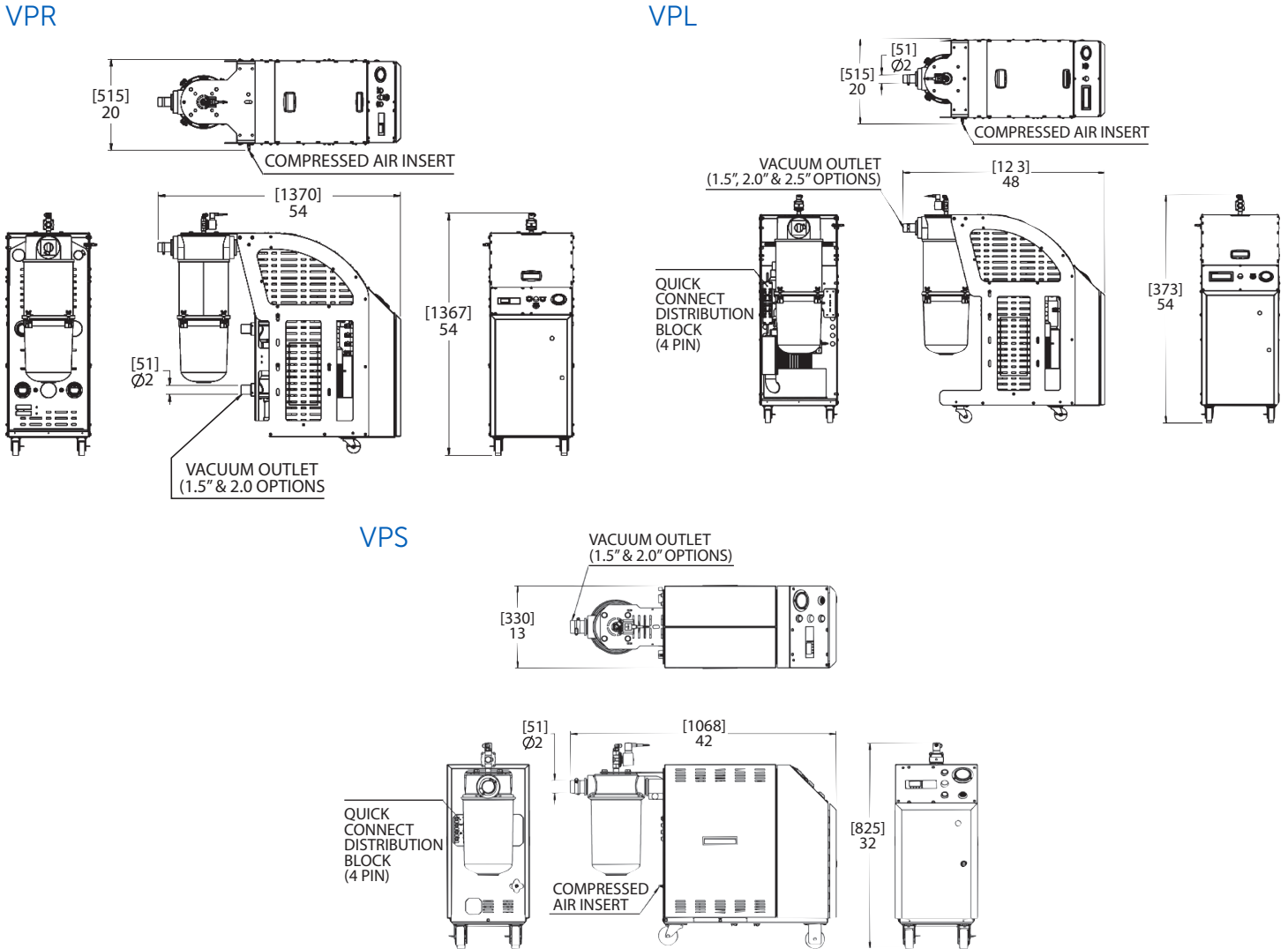
Standard Features

- Ultra-compact design
- Filter types to convey:
 - Pellets
 - Pellets & regrind
 - Pellets, dusty regrind and free-flowing powder (consult factory)
- Compressed air filter cleaning for most filter types
- 1.0 to 11.5 hp (0.75 to 8.5 kW) models available
- Available in Single, 4-station or 9-station controls
- Conveys continuously using an atmospheric relief valve to provide high conveying rates over long distances
- Suitable for most virgin, powder and regrind applications
- 50/60 Hz, 3-Phase with 24 VDC control voltage
- NEMA -12 junction box with electrical disconnect
- Portable caster design
- Quick connect Distribution Block for adaptability

Optional Features

- Open or closed-loop design
- Remote proportioning valve
- Purge conveying capability
- Special voltages
- Prefilters for dusty materials
- Teflon element filters

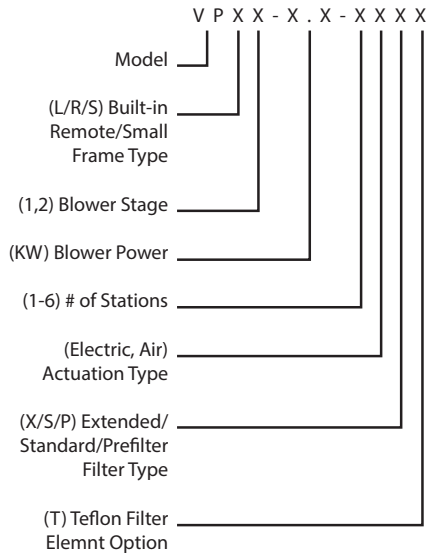
Product Diagrams



Specifications

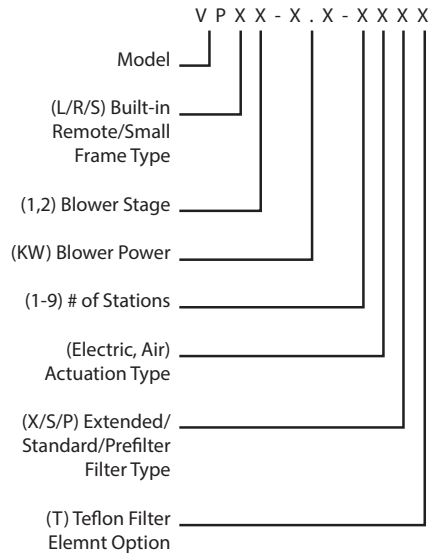
HP (kW) 60hz	HP (kW) 50hz	Conveying Distance @100 eq.ft, 60hz		Conveying Distance @100 eq.ft, 50hz		Vacuum Inlet in. (mm.) @60hz/50hz	Material Inlet in. (mm) @60hz	Material Inlet in. (mm) @50hz	Voltage
		Stage	lbs./hr. (kgs./hr.)	Stage	lbs./hr. (kgs./hr.)				
1.0 (0.85)	1.0 (0.75)	1	400 (180)	1	280 (130)	1.5 (38)	1.5 (38)	1.5 (38)	24 VDC
2.0 (1.5)	1.7 (1.3)	1	650 (295)	1	455 (205)	1.5 (38)	1.5 (38)	1.5 (38)	
3.5 (2.6)	3.0 (2.2)	1	900 (405)	1	630 (285)	2.0 (50)	2.0 (50)	1.5 (38)	
3.5 (2.6)	3.0 (2.2)	2	1500 (680)	2	1050 (475)	2.0 (50)	1.5 (38)	1.5 (38)	
5.0 (3.7)	4.4 (3.4)	2	2400 (1090)	2	1680 (760)	2.0 (50)	2.0 (50)	1.5 (38)	
6.0 (4.6)	5.3 (4.0)	2	4000 (1815)	2	2800 (1270)	2.5 (64)	2.5 (64)	2.0 (50)	
8.5 (6.3)	7.4 (5.5)	2	4700 (2130)	2	3290 (1490)	2.5 (64)	2.5 (64)	2.0 (50)	
11.5 (8.5)	10 (7.5)	2	6600 (2995)	2	4620 (2095)	2.5 (64)	2.5 (64)	2.0 (50)	

MODEL NAMING MATRIX



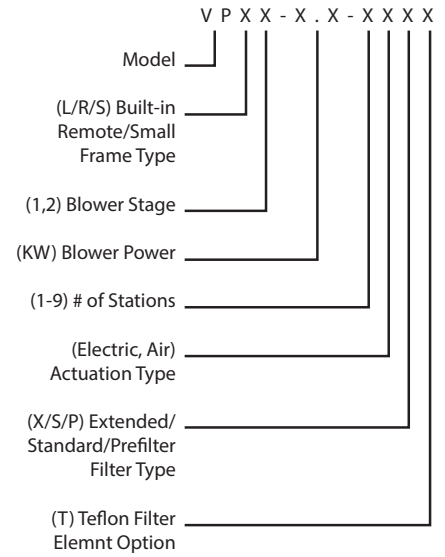
EXAMPLE: VPL2-2.2-4AXT

VPL 2 stage, 2.2KW, 4 -station built-in valves, air operated with extended filter type, teflon element



EXAMPLE: VPR2-2.2-4XT

VPR 2 stage, 2.2KW, 4 -station remote air, operated sequencing valves, extended filter with teflon element



EXAMPLE: VPS1-1.5-4ST

VPS 1 stage, 1.5KW, 4 -station air operated remote valves, standard filter with teflon element