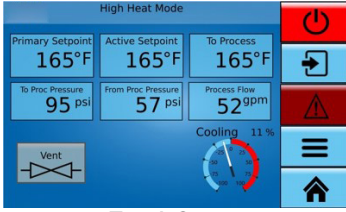


TrueTemp® TC130 SERIES

Water Temperature Control Unit



Touch Screen
TS-5 Controller



Technical Specifications

The TrueTemp® TC130 Series is the most advanced TCU from AEC. This latest innovation features increased options for maximum flexibility, along with state-of-the-art controls and a 5" PLC color touch screen.

These advanced controls provide predictive maintenance features as well as intelligent capabilities like Pressure Adaptive Technology utilizing analog pressure transducers. Troubleshooting is made easy via USB data logging and remote monitoring. All of this comes with the longevity and reliability you've come to expect from AEC TCUs.

INTELLIGENT DESIGN

- Pressure adaptive technology
- 5" PLC Color touch screen (TS-5)
- Analog pressure transducers

PREDICTIVE

- Contactor cycle life indicator
- USB data logging for improved analysis & troubleshooting
- Manually selectable between half & full heat

RELIABLE

- Better controls
- Predictive maintenance
- Expanded warranty

Features

Additional Features

- Compact design with easy-access side panels for rapid maintenance
- Programmable auto vent sequence to automatically vent air from the system at start-up
- Independent high temperature safety thermostat to protect from heater overload
- Motor branch circuit overcurrent/overload protection
- Integrated cooling solenoid valves for efficient unit cooling
- 9 kW heater
- Dual circuit immersion heater with IEC contactors
- Standard operating temperature up to 250° F (121° C)
- NEMA 12 electrical enclosure

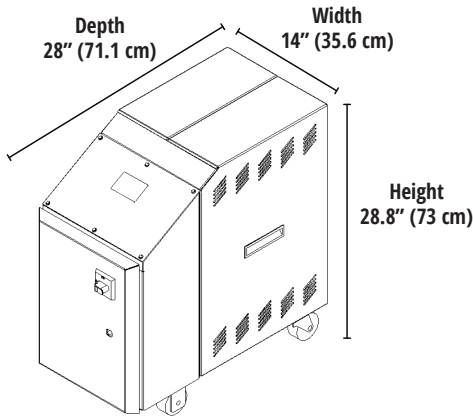
- OPC UA / Euromap 82.1
- VNC
- Ethernet - Standard
- 150 psig (10.3 bar) pressure relief valve
- Silicon carbide / carbon pump seal to maximize pump life
- ¾" NPT water supply connection, 1 ½" NPT process connections; valve size matches drain size
- Modbus TCP
- Quick cool for rapid unit cooling
- Non-fused lockable rotary through door disconnect
- 1 year warranty - factory labor
- 2 year warranty - parts
- 3 year warranty - controller

Optional Features

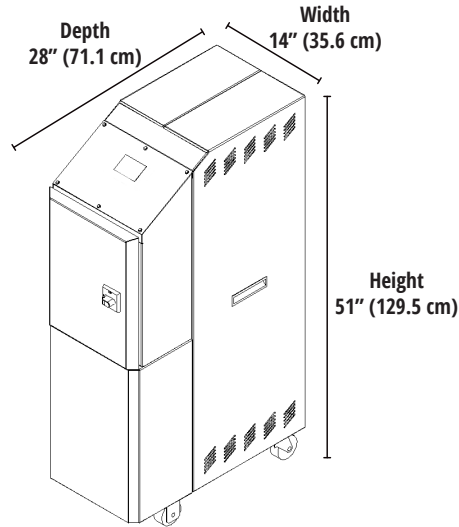
- Remote control
- 12 kW, 18 kW, or 24 kW heater options, 36 kW & 48 kW for upright units
- Maintained START/STOP switch
- Closed loop heat exchanger
- General fault audible/visual alarm to alert operators of unit issues
- Pressure regulator/relief valve for water supply
- Remote setpoint & analog retransmission
- Mold purge
- Y-strainer to protect unit from high particulate fluid
- 300°F (149°C) operating temperature
- Manual bypass
- Modbus RS-485
- MiVue® - Digital Solutions Platform

Product Diagrams

TC130 Compact



TC131 Upright



Pump Curves

Charts show flows and pressures that are available for the standard pump options. Custom pumps available upon request.

Pump HP (kW)	Flow GPM (LPM)	Pressure PSIG (bar)
0.75 (.56)	30 (114)	25 (1.72)
1.0 (0.75)	35 (133)	30 (2.07)
2.0 (1.5)	50 (189)	30 (2.07)
3.0 (2.24)	60 (227)	40 (2.76)
5.0 (3.76)	75 (284)	54 (3.72)
7.5 (5.6)	90 (341)	63 (4.34)
10 (7.5)	120 (454)	55 (3.79)

