

SRC/SRH/SRI SERIES

Vacuum Receiver



Technical Specifications

SRC Series Vacuum Receivers from AEC feature an industrial stainless steel design that provides easy access for quick cleanout and material changeovers. The inlets and outlets on each receiver are made from 11 gauge 304 stainless steel tubing, improving wear characteristics and delivering the longest life. Each vacuum receiver is equipped with stainless steel latches that provide superior clamping force and are significantly easier to secure than standard band clamps. Pyrex™ sight glass on SRI models allow for easy visual monitoring of material levels.

SRC vacuum receivers are used at each loading point in any central vacuum conveying system. They are placed on virtually any processing equipment ranging from surge bins, to blenders, to production machines. The modular design allows the receivers to be placed in any new or existing conveying system.

Features

Standard Features

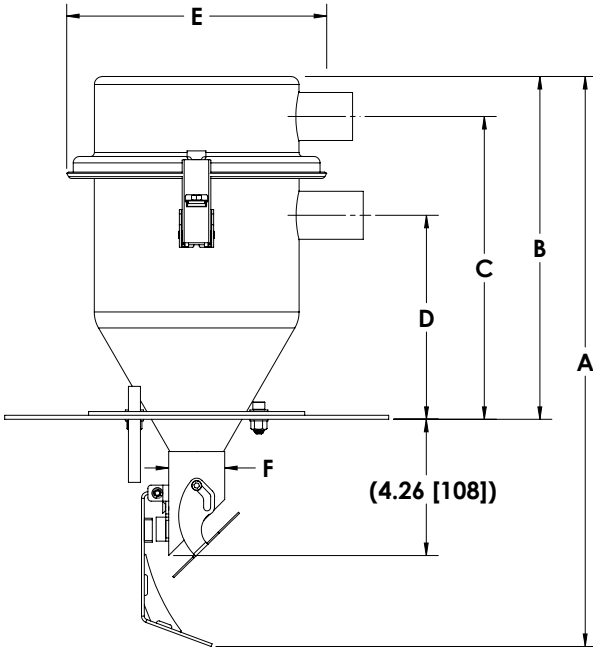
- Stainless steel construction
- Material demand/level sensor
- Internal check valve on material inlet for 1.5", 2.0", 2.5" and 3.0" (not available on 0.1, or 0.2 cu. ft. models)
- Standard 304 stainless steel inlet and outlet on all models (1/8" wall thickness)
- SRC receivers include counter-weighted, angle discharge throat with throat gasket seal (SRC02-SRC16 - 4" throat, SRC30/60 - 6" throat)
- Stainless steel filter screen (10 mesh) (0.1–1.6 cu. ft. models), stainless steel perforated pellet deflector (3.0–6.0 cu. ft. models)
- Vacuum outlet on side of cover (SRH01 and SRC02-SRC16 models)
- Vacuum outlet on top of cover - straight outlet (SR30/60 models). Note - optional 90° outlets available for SRC30/60
- Sight glass models feature Pyrex™ sight glass, 10-mesh stainless steel screen, square mounting flange, and adjustable demand sensor. SRI04 includes check valve for single-line Y applications.

Optional Features

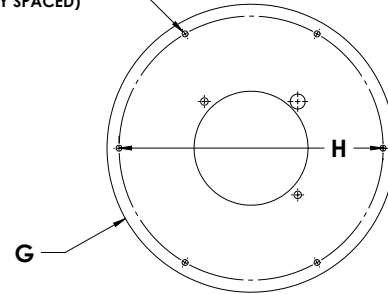
- Volume-fill sensor, 180°F maximum, 24 VDC or 115 VAC control voltage (not available on 0.1 cu. ft. models)
- Abrasive material wear package
- Stainless steel 20 mesh screen for micro-pellet applications
- Polyester cloth filter in lieu of standard screen/deflector
- Nylon filter in lieu of standard screen/deflector (150 mesh)
- OptiView riser assembly, flange mount, 150°F max. temp. (not available on SRC30/60)
- Machine-mount adapter for OptiView (or aluminum riser), (not available on SRC30/60)
- Aluminum riser, flange-mount only (not available on SRH01 or SRI models)
- Silo-mount riser with gasketed, non-vented access door, (SRC30/60)
- Aluminum riser with vented access door, (SRC30/60 only)
- High-temperature (400°F) silicone discharge throat gasket (not available on 0.1 cu. ft. models)
- White neoprene discharge throat gasket, FDA approved, 180°F max. (not available on 0.1 cu. ft. models)

Product Diagrams

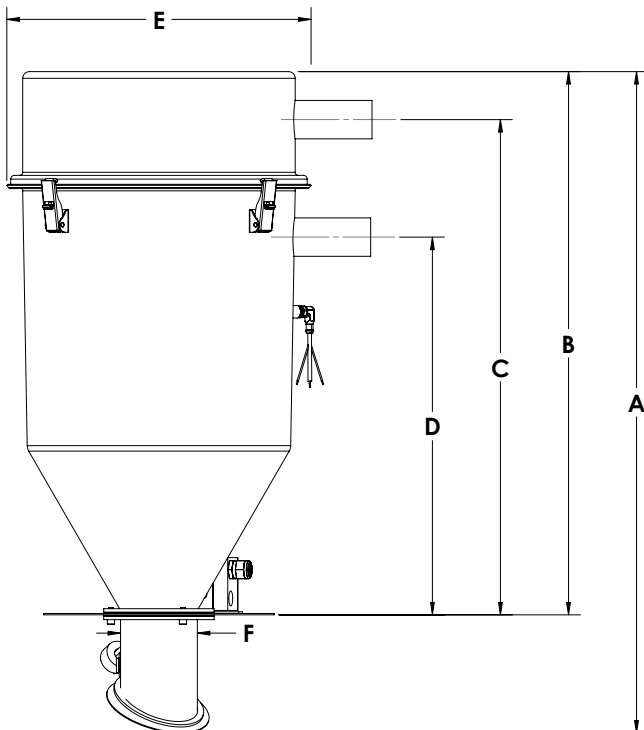
SRH01



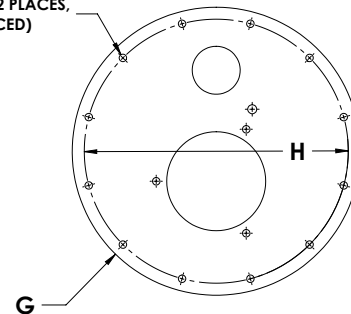
Ø .25 [6.4] HOLE (6 PLACES, EQUALLY SPACED)



SRC02-16

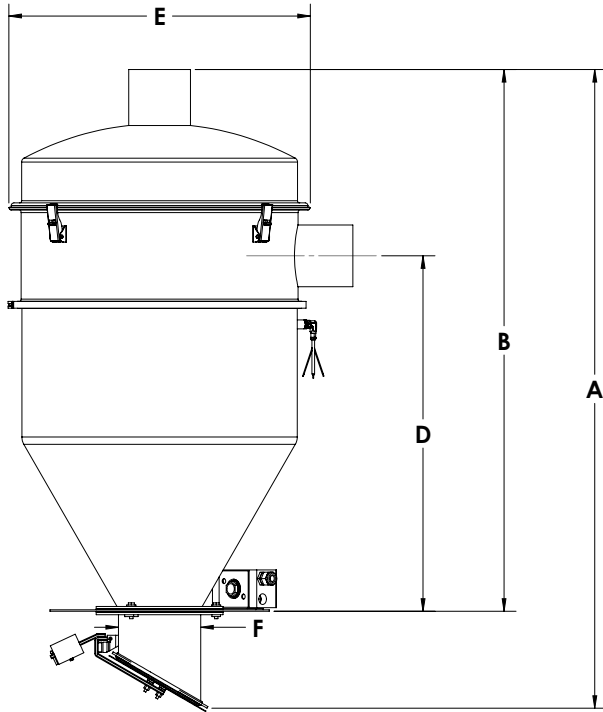


Ø .31 [7.9] HOLE (12 PLACES, EQUALLY SPACED)

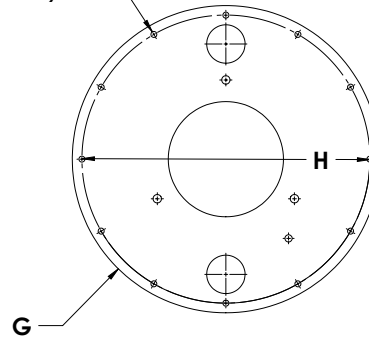


Product Diagrams

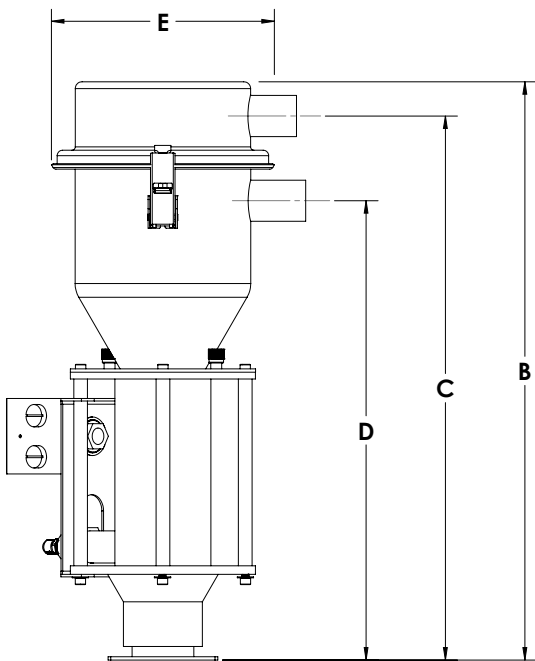
SRC30/60



Ø .31 [7.9] HOLE (12 PLACES, EQUALLY SPACED)

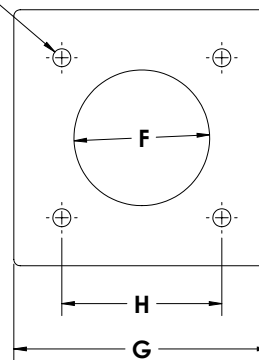


SRI01-04



Ø .28 [7.1] HOLE (4 PLACES)

SQUARE FLANGE



Dimensions

Dimensions, in. (cm)								
Model	A	B	C	D	E	F	G	H
SRH01	17.81 (45.2)	10.71 (27.2)	9.46 (24)	6.38 (16.2)	8.13 (20.7)	1.75 (4.4)	12 (30.5)	11 (27.9)
SRC02	18.34 (46.6)	12.18 (30.9)	10.31 (26.2)	6.06 (15.4)	10.86 (27.6)	4 (10.2)	12 (30.5)	11 (27.9)
SRC04	24.31 (61.7)	18.15 (46.1)	16.28 (41.4)	12 (30.5)	10.86 (27.6)	4 (10.2)	12 (30.5)	11 (27.9)
SRC08	27 (68.6)	20.85 (53)	18.35 (46.6)	12.23 (31.1)	15.84 (40.2)	4 (10.2)	12 (30.5)	11 (27.9)
SRC16	34.45 (87.5)	28.3 (71.9)	25.8 (65.5)	19.68 (50)	15.84 (40.2)	4 (10.2)	12 (30.5)	11 (27.9)
SRC30	46.57 (118.3)	39.5 (100.3)	N/A	25.92 (65.8)	22 (55.9)	6 (15.2)	16 (40.6)	15 (38.1)
SRC60	62.57 (158.9)	55.5 (141)	N/A	41.92 (106.5)	22 (55.9)	6 (15.2)	16 (40.6)	15 (38.1)
SRI01	N/A	21.08 (53.5)	19.83 (50.4)	16.75 (42.5)	8.13 (20.7)	2.12 (5.4)	4 (10.2)	2.5 (6.4)
SRI02	N/A	26.11 (66.3)	24.24 (61.6)	19.95 (50.7)	10.86 (27.6)	3 (7.6)	7 (17.8)	5.5 (14)
SRI04	N/A	32.09 (81.5)	30.21 (76.7)	25.95 (65.9)	10.86 (27.6)	3 (7.6)	7 (17.8)	5.5 (14)

Specifications

Model	Receiver Capacity cu. ft. (l)	Receiver Capacity* lbs. (kg)	Shipping Weight lbs. (kg)	Standard inlet/outlet sizes In. (mm)	Sight Glass Capacity cu. ft. (l)	Sight Glass Capacity * lbs (kg)
SRH01	0.1 (2.8)	3.5 (1.6)	29 (13)	1.5 (38)	N/A	N/A
SRC02	0.2 (5.6)	7 (3.2)	31 (14)	1.5, 2 (38, 51)	N/A	N/A
SRC04	0.4 (11.3)	14 (6.4)	33 (15)	1.5, 2, 2.5 (38, 51, 64)	N/A	N/A
SRC08	0.8 (22)	28 (12.7)	40 (18)	2, 2.5, 3 (51, 64, 76)	N/A	N/A
SRC16	1.6 (45)	56 (25.4)	43 (20)	2, 2.5, 3, 3.5 (51, 64, 76, 89)	N/A	N/A
SRC30	3.0 (85)	105 (47.6)	75 (34)	2.5, 3, 3.5, 4, 4.5 (64, 76, 89, 101, 114)	N/A	N/A
SRC60	6.0 (170)	210 (95.2)	95 (43)	2.5, 3, 3.5, 4, 4.5, 5 (64, 76, 89, 101, 114, 127)	N/A	N/A
SRI01	0.1 (2.8)	3.5 (1.6)	27 (13)	1.5 (38)	0.039 (1.1)	1.36 (0.62)
SRI02	0.2 (5.6)	7 (3.2)	47 (22)	1.5, 2 (38, 51)	0.16 (4.5)	5.6 (2.5)
SRI04	0.4 (11.3)	14 (6.4)	49 (23)	1.5, 2, 2.5 (38, 51, 64)	0.16 (4.5)	5.6 (2.5)

* Based on 35#/cu ft bulk density