

SRC AV-5, AV-10 SERIES

Vacuum Receiver and Filter Chamber



Technical Specifications

SRC/AV-5 & AV-10 vacuum receivers are used to convey free-flowing granular, powdered or regrind materials in a centralized conveying system.

Features

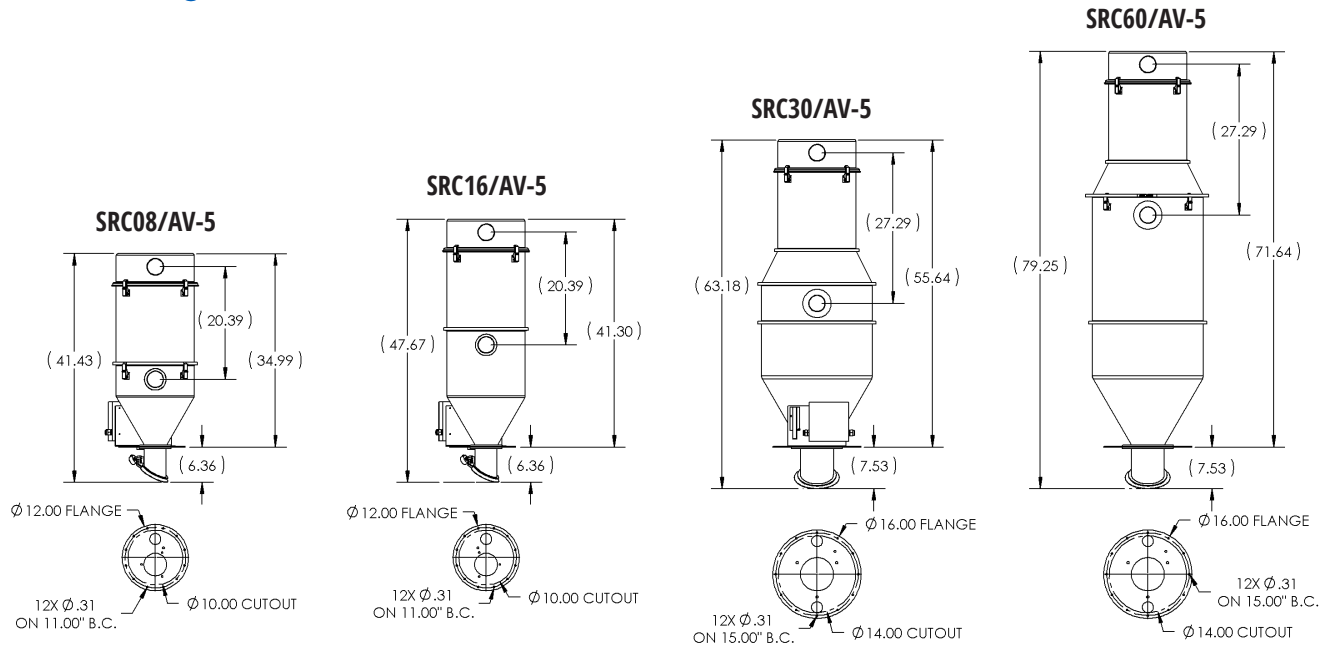
Standard Features

- Flange mount configuration
- Integral material demand/level sensor
- Internal check valve on material inlet for 2.0", 2.5" and 3.0"
- Painted cover assembly
- SRC/AV receivers include angled, counterweighted discharge throat with gasket seal (SRC08-16 –4" Throat, SRC30-60 –6" Throat)
- Dual atmospheric valves for control of the vacuum and filter cleaning cycle
- Air operated vacuum sequencing valves built into cover of unit. No need for an additional sequence valve
- Low maintenance design. No tools required for filter bag cleaning/changes
- Large filter bag area for low pressure drop and good material/air separation
- Acrylic lined filter bags for better dust release and filter performance
- Auxiliary output provided for control of optional air slide gate
- Quick access latched cover design
- Hopper mounted control of cleaning cycle
- 24 VDC control voltage

Optional Features

- Capacitive volume fill sensor in vacuum receiver
- Remote demand sensor for material demand
- Air operated slide gate in lieu of standard discharge (4" slide gate for SRC08/16; 6" slide gate for SRC30/60)
- Distributed I/O cable connection kit
- Special mounting flange pattern (consult factory)
- Riser mount configuration (not available when slide gate option is selected)
- Optional filter media
- 70 degree cone for hard to flow materials (not available on SRC08 and SRC16 models)
- 115 VAC control voltage
- Compressed air fluidizing pad system for receiver cone

Product Diagrams



Application Notes

These receivers should not be used for conveying materials that are not free flowing.
 Consult factory for all glass-filled material conveying applications.

Specifications

SRC-AV5

Model	Filter Area sq ft (m ²)	Inlet/Outlet Size in (mm)	Receiver Capacity cu. ft (lbs)	Receiver Capacity L (kg)	Dimensions H x W in. (cm)	Shipping Weight lbs (kg)
08	5.0 (0.46)	2.0, 2.5, 3.0 (51, 64, 76)	0.8 (28)	22 (13)	35 x 14 (89 x 36)	85 (39)
16		2.0, 2.5, 3.0, 3.5 (51, 64, 76, 89)	1.6 (56)	45 (25)	41 x 14 (104 x 36)	88 (40)
30		2.5, 3.0, 3.5 (64, 76, 89)	3.0 (105)	85 (48)	56 x 20 (142 x 51)	120 (54)
60			6.0 (210)	170 (95)	72 x 20 (183 x 51)	140 (64)

SRC-AV10

Model	Filter Area sq ft (m ²)	Inlet/Outlet Size in (mm)	Receiver Capacity cu. ft (lbs)	Receiver Capacity L (kg)	Dimensions H x W in. (cm)	Shipping Weight lbs (kg)
08	10 (0.93)	2.0, 2.5, 3.0 (51, 64, 76)	0.8 (28)	22 (13)	48 x 14 (123 x 36)	100 (45)
16		2.0, 2.5, 3, 3.5 (51, 64, 76, 89)	1.6 (56)	45 (25)	53 x 14 (135 x 36)	103 (47)
30		2.5, 3.0, 3.5 (64, 76, 89)	3.0 (105)	85 (48)	68 x 20 (172 x 51)	135 (61)
60			6.0 (210)	170 (95)	84 x 20 (213 x 51)	155 (70)