

SRC AV-5, AV-10 SERIES

Vacuum Receiver and Filter Chamber



Technical Specifications

SRC/AV-5 & AV-10 vacuum receivers are used to convey free-flowing granular, powdered or regrind materials in a centralized conveying system.

Features

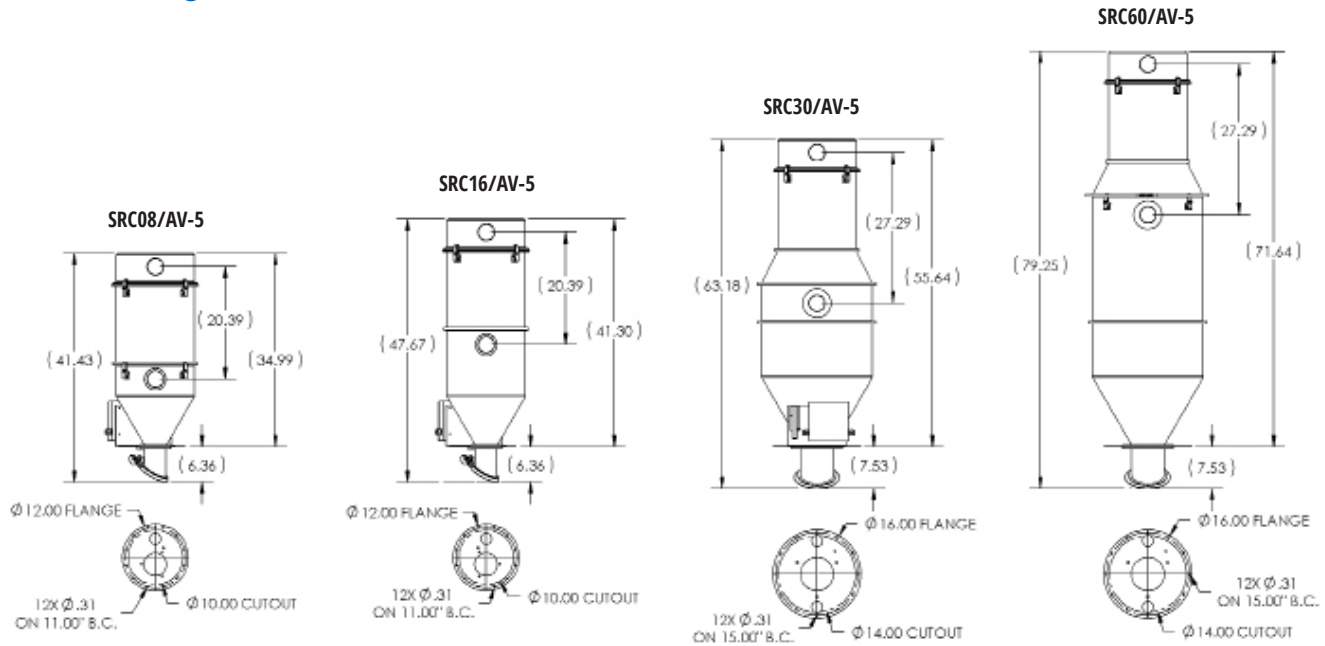
Standard Features

- Flange mount configuration
- Integral material demand/level sensor
- Internal check valve on material inlet for 2.0", 2.5" and 3.0" Note: Consult factory for line sizes larger than 3.0" OD
- Brushed stainless steel construction. Painted cover assembly
- Removable aluminum material inlet:
 - SRC08-16 —Removable aluminum (2.0-3.5" O.D)
 - SRC30-60 —Removable aluminum (2.5-3.5" O.D)
- SRC/AV-5 receivers include angled, counterweighted discharge throat with gasket seal (SRC08-16 —4" Throat, SRC30-60 —6" Throat)
- Dual atmospheric valves for control of the vacuum and filter cleaning cycle
- Air operated vacuum sequencing valves built into cover of unit. No need for an additional sequence valve
- Low maintenance design. No tools required for filter bag cleaning/changes
- Large filter bag area for low pressure drop and good material/air separation
- Acrylic lined filter bags for better dust release and filter performance
- Auxiliary output provided for control of optional air slide gate
- Quick access latched cover design
- Hopper mounted control of cleaning cycle

Optional Features

- 24 VDC control voltage
- Capacitive volume fill sensor in vacuum receiver
- Remote demand sensor for material demand
- Air operated slide gate in lieu of standard discharge (4" slide gate for SRC08/16; 6" slide gate for SRC30/60)
- Distributed I/O cable connection kit
- Special mounting flange pattern (consult factory)
- Riser mount configuration (not available when slide gate option is selected)
- Optional filter media
- 70 degree cone for hard to flow materials (not available on SRC08 and SRC16 models)
- 115 VAC control voltage SRC/AV-10
- Compressed air fluidizing pad system for receiver cone

Product Diagrams



Application Notes

These receivers should not be used for conveying materials that are not free flowing.
 Consult factory for all glass-filled material conveying applications.

Specifications

SRC-AV5

Model	Filter Area sq ft (m2)	Inlet/Outlet Range in (mm)	Receiver Capacity cu. ft (lbs)	Receiver Capacity Liters	Dimensions H x W in. (cm)	Shipping Weight lbs (kg)
08	5 (0.46)	2, 2.5, 3 (51, 64, 76)	0.8 (28)	22	35 x 14 (89 x 36)	85 (39)
16		2, 2.5, 3, 3.5 (51, 64, 76, 89)	1.6 (56)	45	41 x 14 (104 x 36)	88 (40)
30		2.5, 3, 3.5 (64, 76, 89)	3.0 (105)	85	56 x 20 (142 x 51)	120 (54)
60			6.0 (210)	170	72 x 20 (183 x 51)	140 (64)

SRC-AV10

Model	Filter Area sq ft (m2)	Inlet/Outlet Range in (mm)	Receiver Capacity cu. ft (lbs)	Receiver Capacity Liters	Dimensions H x W in. (cm)	Shipping Weight lbs (kg)
08	10 (0.93)	2, 2.5, 3 (51, 64, 76)	0.8 (28)	22	48 x 14 (123 x 36)	85 (39)
16		2, 2.5, 3, 3.5 (51, 64, 76, 89)	1.6 (56)	45	53 x 14 (135 x 36)	88 (40)
30		2.5, 3, 3.5 (64, 76, 89)	3.0 (105)	85	68 x 20 (172 x 51)	120 (54)
60			6.0 (210)	170	84 x 20 (213 x 51)	140 (64)