

S10 SERIES

Screenless Granulators



Technical Specifications

AEC's S10 Series Screenless Granulator

is known for its high quality regrind in sprue and runner reclaim applications. The S10 Series Granulator has a very low rpm speed rotor helping to reduce waste by providing clean regrind to reuse in your process, and allows for energy savings. Stainless steel parts clean up fast and reduce maintenance costs. This compact footprint granulator will easily fit into your process flow.

Features

LOW NOISE

- Sound proof steel hopper results in less noise pollution.
- Low rotor RPM also contributes to less noise made within the chamber.

LOW DUST

- Rotating blade uses stainless steel, produces uniform grain size and minimizes powder formation.

ENERGY EFFICIENCY

- Newly designed cutter allows for energy efficient, consistent granulation while using less horsepower.

Standard Features

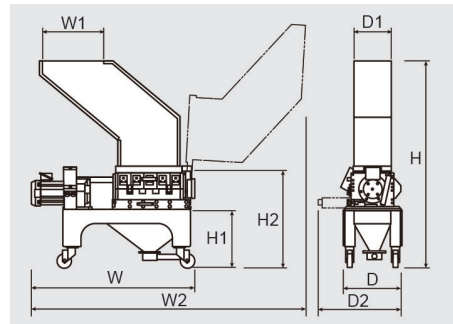
- Small Overall Footprint
- Quiet Operation
- Less Energy Consumption
(smaller motors with same or larger throughput capability)
- Easy Maintenance and Access
- Fast Cleaning
- Improved Knife Design (Staggered cutter design for industry leading efficiency and regrind quality)
- Superior Regrind Quality, with Less Dust Generation
- Vacuum Take-Off Tube Can Be Rotated 360 Degrees
- 3-Window Hopper
- Ferrous Magnet Protection (To prevent stray metal from being introduced into your process)
- Low Speed Rotor RPM in Conjunction with Superior Rotor Design Minimizes Dust and Produces Uniform Regrind Size

Specifications

Model	S10			
	1/2	2/3	3/4	4/5
Power (Volts)	230 or 460			
Motor Output	0.5 hp (0.4 kW)	1 hp (0.75 kW)	2 hp (1.5 kW)	
Rotating Speed (RPM)	25			
Small Rotating Cutters	2	3	4	5
Small Rotating Cutter Diameter	4.1" (105 mm)			
Large Rotating Cutters	1	2	3	4
Large Rotating Cutter Diameter	10.5" (268 mm)			
Rotary Cutter Size	5 mm x 5 mm			
Cutting Chamber Width	6.6" (167 mm)	10.3" (261 mm)	14.0" (355 mm)	17.7" (449 mm)
Cutting Chamber Depth	10.3" (262 mm)			
Cutting Chamber Height	10.2" (260 mm)			
Processing Capacity lbs/hr (kg/hr)	13 (5.9)	22 (10.0)	38 (17.2)	50 (22.6)
Weight Lbs (kg)	344.0 (156)	430.0 (195)	522.5 (237)	584.2 (265)

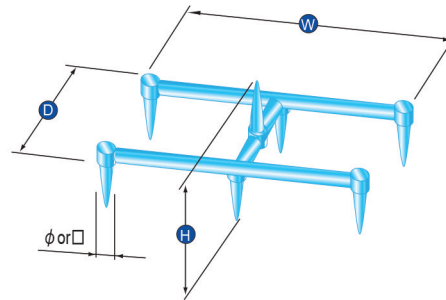
Dimensions

Model	S10			
	1/2	2/3	3/4	4/5
W	28.5" (725 mm)	35.2" (895 mm)	42.5" (1080 mm)	46.0" (1170 mm)
W1	5.5" (140 mm)	9.0" (230 mm)	12.8" (325 mm)	16.5" (420 mm)
W2	63.0" (1600 mm)	69.7" (1770 mm)	77.0" (1955 mm)	80.5" (2045 mm)
D	16.5" (420 mm)			
D1	10.2" (260 mm)			
D2	16.0" (407 mm)			
H	63.2" (1605 mm)			
H1	15.5" (395 mm)			
H2	25.8" (655 mm)			



Runner Specs

Model	S10				
	1/2	2/3	3/4	4/5	
Rotary Cutter Size	0.20" x 0.20" 5 mm x 5 mm	0.20" x 0.20" 5 mm x 5 mm	0.20" x 0.20" 5 mm x 5 mm <i>Optional:</i> 0.20" x 0.23" 5 mm x 6 mm	0.20" x 0.20" 5 mm x 5 mm <i>Optional:</i> 0.20" x 0.23" 5 mm x 6 mm	
Outer dimensions for sprue runner	W	5.9" (150 mm)	9.8" (250 mm)	13.5" (345 mm)	17.1" (435 mm)
	D	9.4" (240 mm)	9.4" (240 mm)	9.4" (240 mm)	9.4" (240 mm)
	H	4.7" (120 mm)	4.7" (120 mm)	4.7" (120 mm)	4.7" (120 mm)
	∅ or □	0.30" (7 mm)	0.30" (7 mm)	0.30" (7 mm) <i>Optional:</i> 0.35" (9 mm)	0.30" (7 mm) <i>Optional:</i> 0.35" (9 mm)



Open Chamber View

