

# MH SERIES

## Machine Hopper



## Technical Specifications

MH Series Machine hopper loaders offer a unique mass flow and compact design. MH machine hoppers are available in insulated and non-insulated configurations. Larger models include a hinged access door for easy access and maintenance.

## Features

### Standard Features

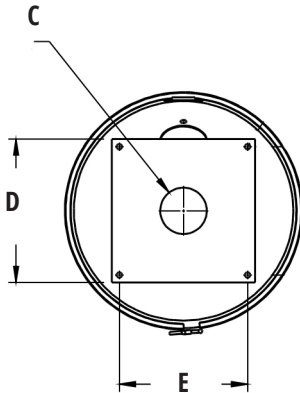
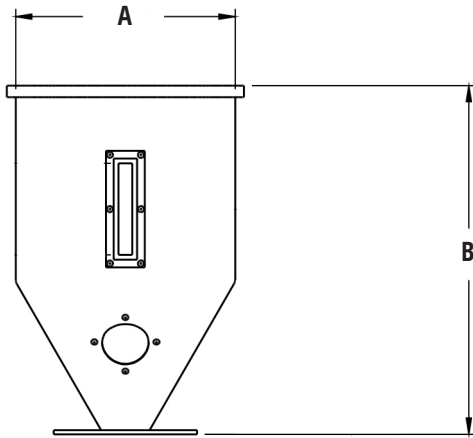
- Stainless steel construction
- Easy-view Lexan® sight glass
- Adjustable quick-release clamp design
- Slide gate
- 7" x 7" square flange
- Hinged access door available on 3.0 cu. ft. models and larger
- Cover selections available for mounting various loader

### Optional Features

- Premium machine-mount slide gate
- Flange transition from 7" to 4" square
- Drawer magnet with slide gate
- Blank cover
- Manual fill cover
- Vacuum hopper cover

## Dimensions

Model	MHx.x			
	0.85	1.7	3.0	6.0
Capacity (cu.ft/l)	0.85 (25)	1.7 (50)	3.0 (85)	6.0 (170)
Square Flange	7" x 7" (178 mm x 178 mm)			
Insulated diameter. in. (mm)	14 (356)		22 (559)	



MH Dimensions, in. (mm)					
Model	A	B	C	D	E
MH .85	14.15 (359)	22.45 (570)	3.00 (76.2)	9.25 (235)	8.27 (210)
MH 1.7	14.15 (359)	28.0 (712)	3.00 (76.2)	9.25 (235)	8.27 (210)
MH 3.0	20.15 (511)	37.31 (947)	3.00 (76.2)	9.25 (235)	8.27 (210)
MH 6.0	20.15 (511)	53.81 (1367)	3.00 (76.2)	9.25 (235)	8.27 (210)