

GP2400 SERIES

Central Granulators

Technical Specifications

GP2400 Series granulators offer strong, versatile, reliable power and performance. With a full range of size and design options to choose from, GP2400 Series granulators are your logical choice for applications ranging from large injection or blow molded scrap, furniture components, and appliance parts.



Features

REDUCED ENERGY CONSUMPTION

- Made possible by the TwinShear™ “scissor cutting” action rotor design
- Uses lower energy consumption without sacrificing throughput performance

EASY ACCESSIBILITY AND CLEANOUT

- Due to split chamber design, which raises the upper half of the cutting chamber, and lowers the screen cradle and discharge assembly via hydraulic cylinders
- Simplifies access for knife adjustments
- Air evacuation piping system does not need to be disconnected

APPLICATION FLEXIBILITY

- Configurations are available for many types of applications and client specific requirements
- Multiple options available for: Infeeds, rotors, cutting chambers, and evacuation systems

Standard Features

- Throughput from 1,800 lbs/hr to 4,500 lbs/hr (820kg/hr to 2,042 kg/hr)
- Rotating end discs improve airflow and minimize heat production
- Heavy-duty construction to address some of the most demanding applications
- Dual tube discharge for improved machine evacuation (GP2472 Only)

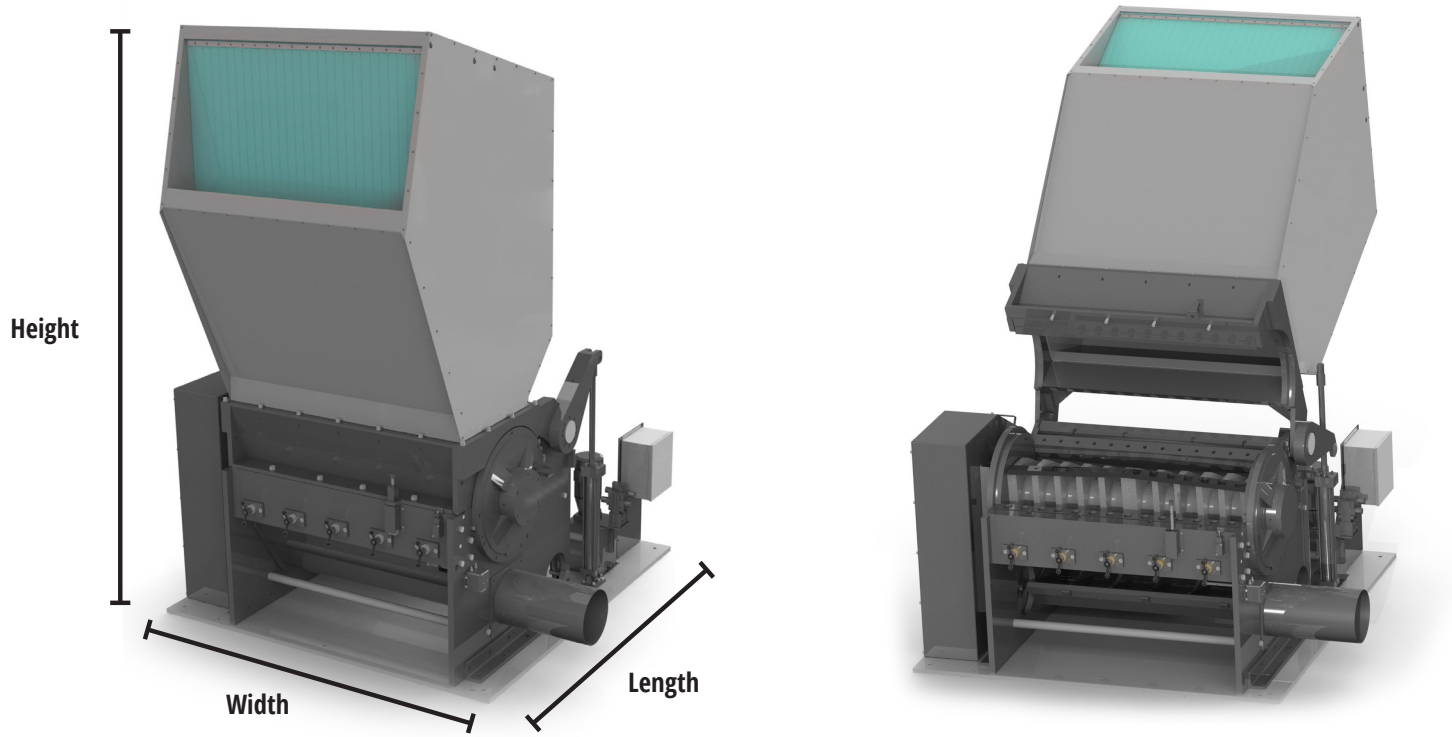
Typical Applications

- Injection molded, blow molded, or extruded scrap
- Furniture and appliances
- Film and sheet
- Automotive moldings, ducts, furniture/appliance parts

Optional Features

- Multiple hopper designs
- Replaceable rotor knife seats
- Abrasion resistance package for high wear applications
- Water cooled rotor and chamber
- Digital load meter

GP2400



Model	Cutting Chamber	Infeed Height	Throughput	Standard Motor	Dimensions (W x L x H)	Weight
GP2428	24" x 28" (60cm x 70cm)	103.5" (2629mm)	1,800 lbs/hr (820 kg/hr)	50 hp (37 kw)	70.5" x 106" x 135" (179cm x 269cm x 343cm)	10,000 lbs (4,545 kg)
GP2439	24" x 40" (60 cm x 100cm)	103.5" (2629mm)	2,500 lbs/hr (1200 kg/hr)	100 hp (75 kW)	82.5" x 106" x 135" (210cm x 269cm x 343cm)	13,000 lbs (5,910 kg)
GP2456	24" x 56 " (60cm x 140cm)	103.5" (2629mm)	3,500 lbs/hr (1,600 kg/hr)	125 hp (90 kW)	98.5" x 106" x 135" (250cm x 269cm x 343cm)	16,000 lbs (7,270 kg)
GP2472	24" x 72" (60 cm x 180cm)	103.5" (2629mm)	4,500 lbs/hr (2042 kg/hr)	150 hp (122 kW)	103" x 106" x 135" (262cm x 269cm x 343cm)	22,000 lbs (9,980 kg)