

CHILLED WATER SERIES

Pump Tank



Technical Specifications

Cooling Tower Pump Tank assemblies offered by AEC are backed by proven engineering and expert fabrication that have made these systems the standard of the industry for decades. Process cooling water is circulated by centrifugal pumps with cast iron housings, cast iron impellers and mechanical seals. Full sized pump suction and discharge valves are expertly assembled on solid decks and include suction isolation valves, throttling valves, discharge check valves, pressure gauges and gauge trim.

These versatile tanks can be modified to meet the specific needs of your facility and application. Chilled Water Pump Tanks also offer variable frequency drive (VFD) options for optimal control and energy usage.

Features

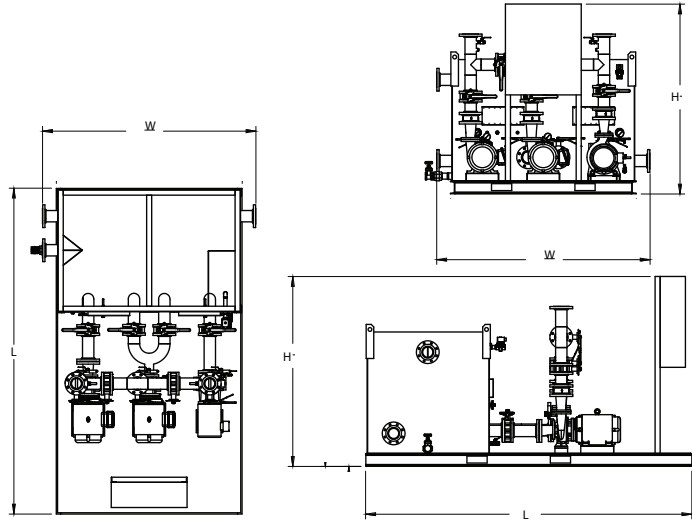
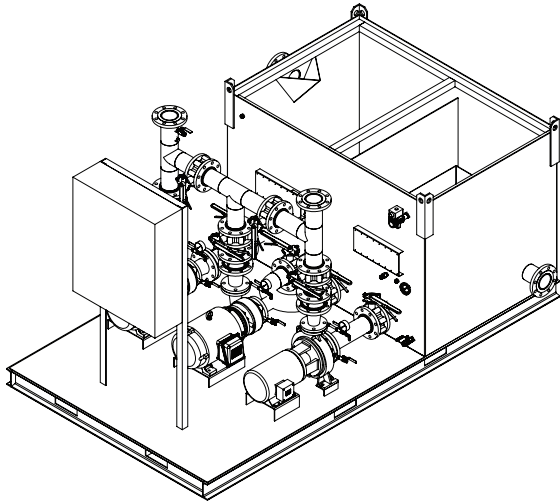
Standard Features

- Tank systems from 152 to 6,044 gallons (1893 to 22,879 Liters) available, with up to 5 pumps
- Centrifugal close-coupled pumps, featuring cast iron impellers with 230 or 460/3/60 ODP motors, other voltages and motor designs are available.
- Chiller tanks are fully insulated and include composite covers
- Full size pump trim reduces pressure drop and provide optimum flow to process while including the suction valve, discharge check valve, throttling valve, pressure gauge, and gauge trim
- Automatic make-up valve with splash guard for trouble-free level control
- Stainless steel construction provides a durable finish while being easy to clean and extends service life
- Field mounted thermometers for ease of fluid temperature monitoring
- Check valve on discharge trim prevents supply line drain-back, eliminating pump start shock
- High efficiency Open Drip Proof (ODP) motor selections from 1.5 to 75 horsepower as standard
- Non-slip solid steel pump deck for added serviceability and safety

Optional Features

- Tank design as Single Well or Dual Well
- Tank-mounted control panels with either digital or electro-mechanical controls
- Various sensor arrays with the control panel to meet the specific needs of individual facilities
- Totally Enclosed Fan Cooled (TEFC) pump motors available
- 1" Clayton float-type claval makeup valves
- Sight glass for visual tank level monitoring
- Audible/visual alarm annunciator with various input selections
- Raised installation option will include support legs, handrails, and ladder
- Armflex insulation available for tower tanks
- Bronze impellers

Product Diagrams



Specifications

Pump Tank - Chilled Water

Model	Max. Chiller Tons (kW)		Capacity Gallons (l)		Dimensions in inches (CM)			Shipping Wt.
	1 Well	2 Well	Overflow	Operating	Height	Width	Depth	
C150	63 (222)	30 (106)	160 (606)	152 (575)	40.3 (102)	60.4 (153)	84.0 (213)	600 (272)
C300	132 (464)	63 (222)	329 (1245)	316 (1196)	52.3 (133)	60.4 (153)	87.5 (222)	1300 (590)
C500	177 (623)	86 (302)	439 (1662)	426 (1613)	55.3 (141)	60.4 (153)	102.5 (260)	2000 (907)
C700	269 (946)	132 (464)	658 (2491)	645 (2442)	56.3 (143)	84.4 (215)	114.5 (291)	2600 (1179)
C1100	411 (1445)	199 (700)	1017 (3850)	987 (3736)	80.3 (204)	84.4 (215)	114.5 (291)	3400 (1542)
C1600	623 (2191)	305 (1073)	1526 (5777)	1496 (5663)	81.3 (207)	84.4 (215)	138.5 (352)	4000 (1814)
C2000	823 (2894)	405 (1424)	2005 (7590)	1975 (7476)	81.3 (207)	108.4 (275)	143.6 (365)	5000 (2268)
C2700	1032 (3629)	510 (1794)	2506 (9486)	2476 (9372)	82.3 (209)	132.0 (335)	150.5 (382)	6000 (2722)
C3700	1406 (4945)	697 (2451)	3904 (14778)	3374 (12772)	105.3 (268)	132.5 (337)	150.5 (382)	7000 (3175)
C5100	1964 (6907)	971 (3415)	4765 (18037)	4713 (17841)	107.3 (273)	180.3 (458)	150.5 (382)	7800 (3538)
C6500	2518 (8855)	1242 (4368)	6127 (23193)	6044 (22879)	109.3 (278)	228.5 (580)	151.1 (385)	14200 (6441)

Pump Tank - Tower Water

Model	Max. Cooling Tons (kW)*		Capacity Gallons (l)		Dimensions in inches (CM)			Shipping Wt.
	1 Well	2 Well	Overflow	Operating	Height	Width	Depth	
T150	28(99)	13 (46)	160 (606)	85 (322)	40.3 (102)	60.4 (153)	84.0 (213)	600 (272)
T300	76 (267)	33 (116)	329 (1245)	229 (867)	52.3 (133)	60.4 (153)	87.5 (222)	1300 (590)
T500	107 (376)	45 (158)	439 (1662)	322 (1219)	55.3 (141)	60.4 (153)	102.5 (260)	2000 (907)
T700	160 (563)	68 (239)	658 (2491)	480 (1817)	56.3 (143)	84.4 (215)	114.5 (291)	2600 (1179)
T1100	266 (936)	103 (362)	1017 (3850)	798 (3021)	80.3 (204)	84.4 (215)	114.5 (291)	3400 (1542)
T1600	363 (1277)	155 (545)	1526 (5777)	1088 (4119)	81.3 (207)	84.4 (215)	138.5 (352)	4000 (1814)
T2000	469 (1649)	191 (672)	2005 (7590)	1408 (5330)	81.3 (207)	108.4 (275)	143.6 (365)	5000 (2268)
T2700	750 (2638)	255 (897)	2506 (9486)	2250 (8517)	82.3 (209)	132.0 (335)	150.5 (382)	6000 (2722)
T3700	1061 (3731)	349 (1227)	3904 (14778)	3184 (12053)	105.3 (268)	132.5 (337)	150.5 (382)	7000 (3175)
T5100	1515 (5328)	489 (1720)	4765 (18037)	4546 (17208)	107.3 (273)	180.3 (458)	150.5 (382)	7800 (3538)
T6500	1969 (6925)	629 (2212)	6127 (23193)	5907 (22360)	109.3 (278)	228.5 (580)	151.1 (385)	14200 (6441)

*Maximum cooling tower tank tons based on 'FG' cooling tower drain back. Resize for all other cooling towers compensating for drain back