

BULK BAG SERIES

Loaders



Technical Specifications

AEC Bulk Bag Loaders are available for manual operation as well as fully automated units incorporating electric hoists, flow control valves, and various methods of conveying material into bulk bags.

Features

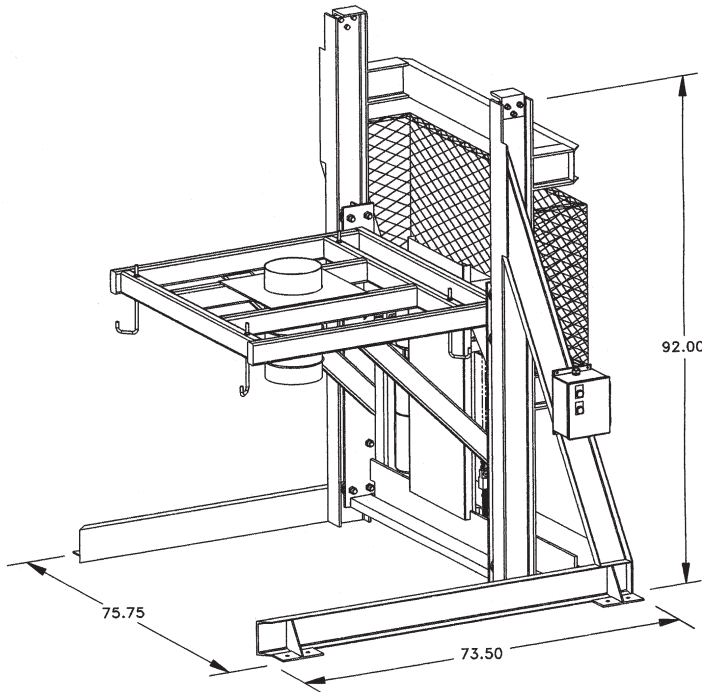
Standard Features

- Self-Contained 2 HP Electric Over Hydraulic Power Unit 460 Volt 3PH
- 3" x 36" Heavy Duty Lifting Hydraulic Cylinder with Chain and Sprocket Drive
- 3" x 3" x 1/4" Rectangular Tube, Welded Construction
- Safety Flow Check Valve
- Heavy Duty "1" Beam and Rectangular Tube Frame Construction
- Proximity Limit Switch Controls
- Safety Enclosure Panels
- 120 Volt Control Panel, NEMA 12 Enclosure, Stop Action Push Button, Up/Down Controls
- Heavy Duty Roller Bearing Carriage Guides
- 10" or 12" Inflatable Bag, Seal Chute with Pneumatic Controls, 304 Stainless Steel on Contact
- Accommodates Bags up to 40" x 40" x 70" High
- 5" x 5" x 1/4" Foot Pads
- Adjustable Bag Support "J" Hooks
- Carbon Steel Construction

Optional Features

- Available in Various Materials of Construction
- Special Paint
- Load cell weight system with flex weight controller relay board, NEMA 12, start/stop controls, J box cell summing, 4 omniceils-2500 capacity each, 10,000 lbs total capacity
- Load cell weight system, explosion proof, same as above, with NEMA 4 controls and stainless omniceils
- 12" pneumatic iris valves with electric controls and air actuated for full open, trickle, and full closed

Product Diagrams



Specifications

1. Bag Support Framework:

4 post, cantilevered, and fill head only frame designs are the available filler framework options

2. Bag Inflation Blower:

Provides bag pre-inflation prior to filling material in order to properly shape the bag for maximum stability

3. Traversing Rear Bag Loops Hangers:

Positions the rear bag hangers well within arms length at the front of the filler for ergonomic access to hang new bags

4. Concentric Tubes:

Allows air from the blower to enter during bag inflation and displaced air and dust to exit during bag filling

5. Powered Height Adjustment:

Accommodate a range of bag heights

6. Bag Weighing Options:

Scale systems are available in hang weigh, base weigh, or pre-weigh configurations

7. Base Options:

Typically consists of a platform top or roller conveyor depending on the application requirements

8. Densification Table:

A base mounted adjustable vibratory densification system produces a more dense and stable bag

9. Control Systems:

Range from manual to full automatic and are available to integrate with any of the selected weighing options, filling system features and upstream equipment

10. Drum and Box Adapters:

Allow for dust free filling of any customer specified container

11. Bag Loops Hangers:

Front and rear hooks are spring loaded to ensure bag loops are securely held during operation

12. Inflatable Bladder Seal:

Holds and seals the bag spout ensuring dust free operation

13. Dust Collection:

An air displacement outlet for connection to sock, filter, cartridge filter, or dust collector

14. Flow Control Valves:

Control the product feed into the fill station. Movable fill head