

BFC SERIES

Blown Film Coolers



Technical Specifications

Today's competitive blown film business calls for consistent, high-quality product and increased productivity—especially in warmer climates or when ambient air temperatures rise in summer months.

AEC's BFC Series blown film coolers boost productivity by eliminating production variables. Fully-engineered chilled water coil assemblies deliver air ring cooling at constant temperature, pressure, and volume.

BFC Series blown film coolers have a leaving air temperature range of 40°F to 50°F (5°C to 10°C). Higher leaving air temperature options may be available for additional engineering consultation.

Features

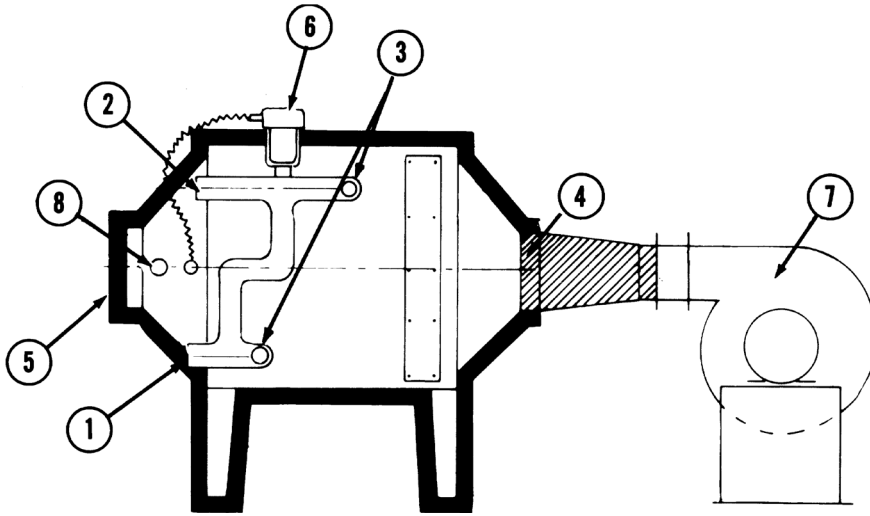
Standard Features

- Leaving air temperature range of 40°F to 50°F (5°C to 10°C)
- Condensate trap
- Insulated heavy gauge steel cabinet designed for 35" (8.7 kPa) static pressure
- Dial thermometers for discharge air and chilled water supply/return
- Air inlet and outlet adaptors copper tube aluminum fin chilled water cooling coil
- Insulated drip pan
- Permanent filter
- 230/3/60 or 460/3/60 voltages
- 1 year warranty on parts and labor

Optional Features

- Pre-piped, automatic 3-way chilled water control valves for tighter control of leaving air temperature
- Complete motor controls, including factory wired starter and on/off switch
- 16" or 25" static pressure fans

Product Diagrams



1. Chilled water in
2. Chilled water out
3. Chilled water thermostats
4. Air inlet
5. Air outlet
6. 3-way valve
7. Blower
8. Air outlet thermometer

Specifications

Model	Air flow rated hp/kW cfm (cmh) ¹	Base model shipping weight, lbs. (kg)	"B" models: (base unit plus 16" static pressure fan section with damper)		"BH" models: (base unit plus 35" static pressure fan section with damper)	
			Fan motor power, hp (kW)	Ship weight, lbs. (kg)	Fan motor power, hp (kW)	Ship. weight, lbs. (kg)
BFC600	600 (1019)	440 (205)	3 (2.24)	570 (265)	7.5 (5.60)	1030 (478)
BFC1000	1000 (1699)	440 (205)	5 (3.73)	570 (265)	10 (7.46)	1030 (478)
BFC1500	1500 (2548)	690 (321)	7.5 (5.60)	890 (413)	15 (11.19)	1325 (615)
BFC2000	2000 (3398)	740 (344)	10 (7.46)	965 (448)	20 (14.92)	1465 (680)
BFC3500	3500 (5946)	1260 (585)	20 (14.92)	1710 (794)	40 (29.84)	2365 (10980)
BFC5000	5000 (8495)	1880 (873)	30 (22.38)	2465 (1144)	60 (44.76)	3165 (1469)

Model	Nominal cooling required, tons (Kcal/hr)	Die Max. dia., in. (cm)	Chilled Water In/Out Diameter (NPT), in. (mm)	Air Inlet/Outlet Diameter, in. (mm)
BFC600	7.3 (22075)	5 (12.7)	1 (25)	10 (254)
BFC1000	12.1 (36590)	18 (45.7)	1.25 (32)	
BFC1500	18.2 (55037)	30 (76.2)	1.5 (38)	14 (356)
BFC2000	24.2 (73181)	40 (101.6)	2 (51)	
BFC3500	42.4 (128217)	60 (152.4)	2.5 (64)	16 (406)
BFC5000	60.5 (182952)	80 (203.2)	2.5 (64)	18 (457)

Dimensions	Base Unit, in. (cm)			"B" Models, in. (cm)			"BH" Models, in. (cm)		
	Model	Width	Length	Height	Width	Length	Height	Width	Length
BFC600	48.0 (122)	49 (125)	58 (147)	48.0 (122)	96 (244)	58 (147)	48.0 (122)	96 (244)	58 (147)
BFC1000	48.0 (122)	49 (125)	58 (147)	48.0 (122)	96 (244)	58 (147)	48.0 (122)	96 (244)	58 (147)
BFC1500	49.0 (124)	42 (107)	54 (137)	49.0 (124)	90 (224)	54 (137)	49.0 (124)	90 (224)	54 (137)
BFC2000	49.0 (124)	48 (122)	66 (168)	49.0 (124)	96 (244)	66 (168)	49.0 (124)	96 (244)	66 (168)
BFC3500	59.0 (150)	61 (155)	78 (198)	59.0 (150)	121 (308)	71 (181)	59.0 (150)	121 (308)	78 (198)
BFC5000	64.0 (163)	70 (178)	89 (201)	64.0 (163)	130 (331)	89 (226)	64.0 (163)	130 (331)	89 (226)