

# APC SERIES

## Vacuum Pumps



## Technical Specifications

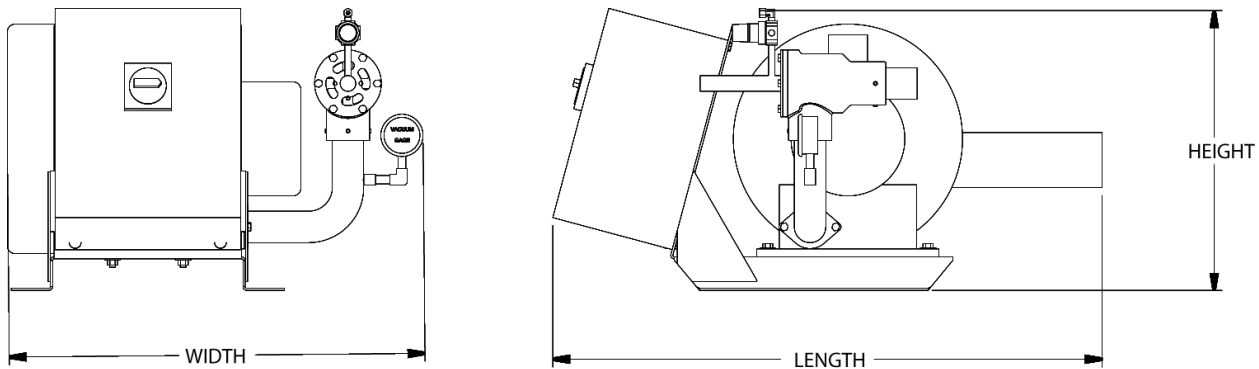
The APC Vacuum Pump is a regenerative style vacuum pump that can be used in most central conveying systems. These pumps can convey free flowing materials to almost anywhere in your plant. In addition, these pumps produce less noise than many other style pumps giving you the strength you need at a sound level your employees will appreciate. APC vacuum pumps are designed for 24 hour use and are among the most compact pumps in the industry. These pumps are ideal for most conveying rates at short to medium conveying distances.

## Features

### Standard Features

- Regenerative vacuum pump design
- Compact design
- Quiet operation without the need for a sound enclosure
- NEMA-12 junction box mounted on unit with motor starter and overload
- Vacuum Relief Valve
- Vacuum gauge
- Available in 3.5 - 5.0 HP motor sizes

## Product Diagrams



| Models  | Width in. (cm) | Length in. (cm) | Height in. (cm) | Weight lbs. (kg) |
|---------|----------------|-----------------|-----------------|------------------|
| APC 3.5 | 18.5 (47)      | 30.5 (77)       | 19.5 (50)       | 130 (59)         |
| APC 6.5 | 20 (51)        | 36 (91)         | 19.5 (50)       | 149 (68)         |

## Specifications

| Models  | Airflow |                    | 460V Power Unit |     | Vacuum Line Size | Material Line Size | Recommended Vacuum Receivers |                            | Maximum Recommended Conveying Distance |
|---------|---------|--------------------|-----------------|-----|------------------|--------------------|------------------------------|----------------------------|--|
|         | CFM     | m <sup>3</sup> /hr | HP              | kW  | In., OD          | In., OD            | cu.ft                        | liters                     | ft (m)                                 |
| APC 3.5 | 106     | 180                | 3.5             | 2.6 | 2.0              | 1.5                | 0.1, 0.2, 0.4, 0.8           | 3.0, 6.0, 11.0, 23.0       | 0-150 (0-46)                           |
| APC 6.5 | 152     | 258                | 5.0             | 3.7 | 2.0              | 2.0                | 0.1, 0.2, 0.4, 0.8, 1.6      | 3.0, 6.0, 11.0, 23.0, 45.0 | 0-300 (0-91)                           |

## Full Load Amps

| Model   | 230V | 460V | 575V |
|---------|------|------|------|
| APC 3.5 | 7.1  | 4.6  | 3.0  |
| APC 6.5 | 12.9 | 6.5  | 4.3  |