

# AFC-S SERIES

## Central Vacuum Safety Filter



## Technical Specifications

AFC-S Safety Filter is an in-line dust collection filter designed to protect your vacuum conveying pump from damage. This highly efficient filter uses Cyclonic Filtration technology as well as a cartridge filter to ensure the maximum amount of dust and fines are removed from your system. The filter housing is made of stainless steel and cast aluminum for corrosion and abrasion resistance. It also has a clear, transparent collection hopper that allows plant personnel to see if the filter needs to be emptied at glance. The transparent collection hopper is easily removed via quick disconnects and requires no tools.

## Features

### Standard Features

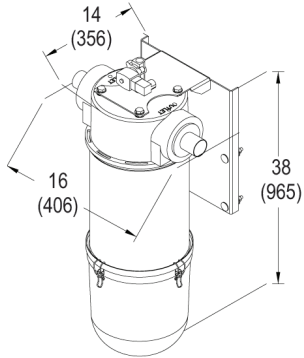
- Filter surface area of 50 sq. ft. (4.62 m<sup>2</sup>), rated for systems up to 360 cfm
- 24V DC control voltage
- Compressed air filter cleaning
- Operates at 60-80 PSI (4.1-5.5 bar)
- Wall-mount configuration
- Transparent Plexiglass® collection chamber with quick disconnects
- Line sizes available:
  - 1.5" (40mm)
  - 2.0" (50mm)
  - 2.5" (65mm)
  - 3.0" (76mm)
  - 3.5" (88mm)
- Designed for central conveying applications
- Can be installed in virtually any vacuum conveying system

### Optional Features

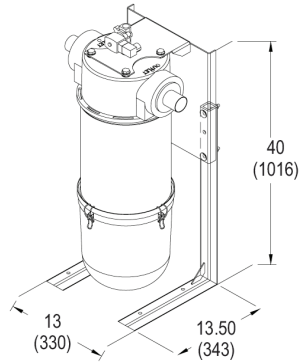
- Leg kit for floor mounting
- Mounting bracket for APC pump mounting
- Compressed air blowback with or without integrated controller (110V AC or 24V DC)
- Implosion style filter cleaning
- Optional Teflon coated filter cartridge for easy release of hard to flow materials
- Optional Spun Bond Polyester filter for very fine dust
- 110V AC control voltage blow back solenoid
- Compatible with distributed I/O control systems
- AFC-SC Cyclone pre-filter for very high dust application

## Specifications

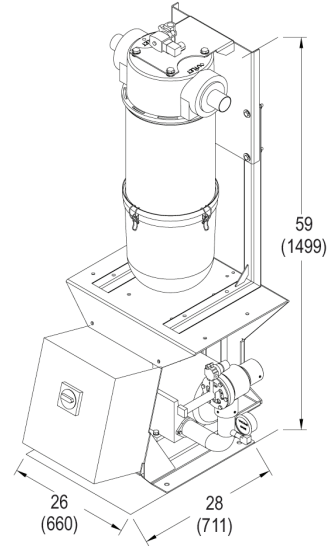
Wall Mount



Floor Mount



APC Pump Mount



All dimensions are in inches and (mm) unless specified otherwise

## Filter Cleaning Options

Compressed Air Blowback

