

AFC-LP SERIES

Central Pulse Filters



Technical Specifications

The AEC AFC-LP Central Pulse filters are designed for systems with high concentrates of dust and fines. With minimal maintenance, fines are collected in a hopper and removed periodically via a quick open discharge. Filter bags are continuously cleaned with jet pulses of compressed air during the vacuum conveying cycle and a solid state control is included for sequencing of filter cleaning process.

Features

Standard Features

- Central Pulse Filter
- Continuous Pulse Filter
- Cartridge filter
- Compact design
- Available in multiple sizes for use with vacuum pumps ranging from 5 HP to 30 HP
- Easy maintenance access
- Quick-clean dust discharge cap
- Maximum operating temperature 200°
- Standard operating pressure -14" HG
- Maximum design pressure +/- 17" HG
- Air consumption, approx. 8 SCFM @ 80 PSIG using 0.15 second on time pulse
- 115/1/60 power remote controller - continuous pulse
- Solid-state timer controller

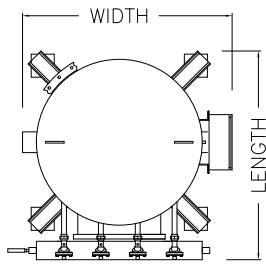
Optional Features

- 24 VDC control/24 VDC solenoid
- Special discharge
- Special filter media
- Manual dump valve with dust can
- Air operated slide gate

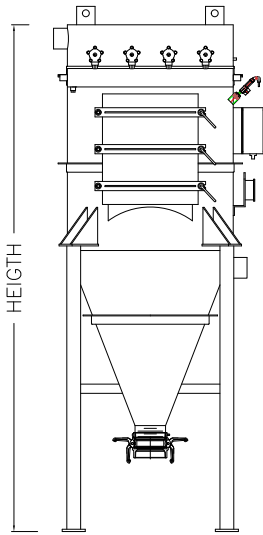
Typical Applications

- Ideal for sheet and Thermoforming applications
- Ideal for regrind conveying applications
- Good for some powder conveying applications

Product Diagrams

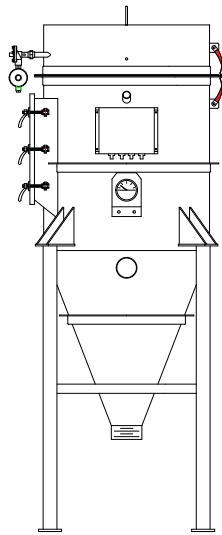


TOP VIEW



FRONT VIEW

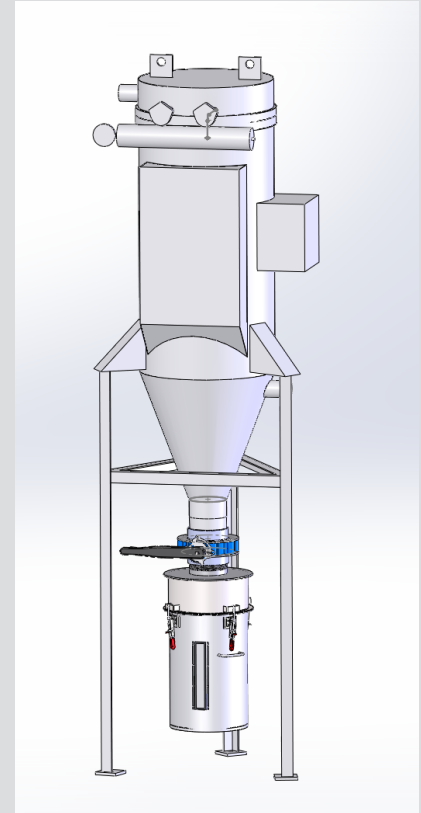
AFC-LP132 Drawing Shown



SIDE VIEW

Optional Dust Can Retrofit

- Manual dump valve
- Removable dust can
- Extended legs to fit the dust can under the filter



Specifications

Model	Filter Area Sq. ft. (sq. m.)	Power Unit HP (kW)	Line Size in. dia. OD	Length in. (cm)	Height in. (cm)	Width in. (cm)	Ship Weight lbs. (kg)
AFC-LP60	60 (5.57)	7.5, 10, 15	2.5, 3.0	40.5 (103)	92 (233.7)	36.6 (93)	550 (249.5)
AFC-LP132	132 (12.26)	20, 25, 30	4.0, 4.5, 5.0, 5.5	45.5 (115.5)	110 (279.4)	45.5 (115.5)	750 (340)

Specifications, appearances, and dimensions are subject to change without notice.