

AF1000 SERIES

Gravimetric Additive Feeder



Technical Specifications

AF1000 features a compact, gravimetric additive feeder that allows it to accurately meter additives as well as track material usage. The AF1000 is designed to work in all molding and extrusion applications for pelletized material. Consistent, accurate operation and repeatability, even at very low output rates. If there is a deviation from set additive weight, the AF1000 will automatically self-adjust to ensure proper measurements.

Features

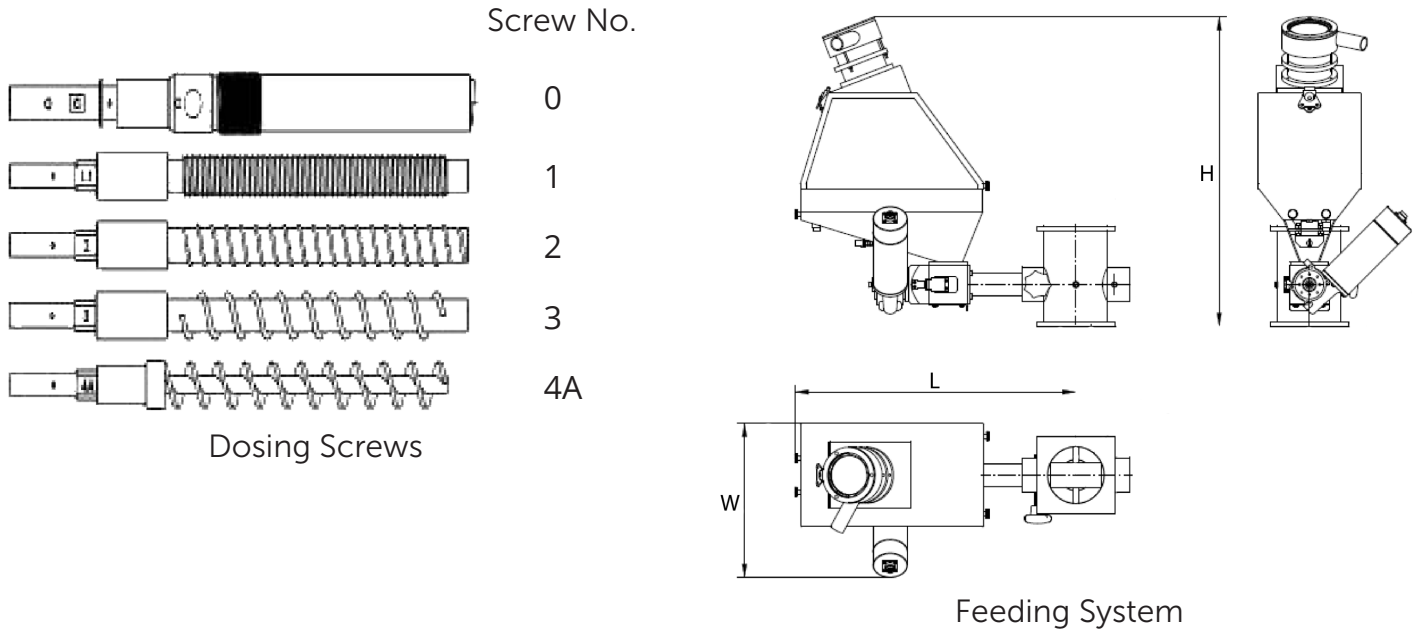
Standard Features

- 3 liter (oil cu. ft.) stainless steel weigh hopper
- Stainless steel metering screw (medium #2 as standard)
- Simple and easy to use operation with automatic calibration
- Swing out cleanout door
- Connection to injection signal in addition to recovery signal
- Powerful DC motor
- User-friendly graphic display
- Advanced feed-rate algorithm
- Online additive flow rate control in % or kg/hr (for extruders)
- Integrated TCP/IP card that enables communications for injection molding models
- Gravimetric/volumetric mode switch

Optional Feature

- Integrated automatic venturi loader
- 0-10 VDC extruder tracking controls
- Large weigh hopper in lieu of standard
- 230/1/50 or 230/1/60 supply voltage
- Specialized software control for extrusion blow-molding applications

Product Drawings



Dimensions and Specifications

Feeder Type		Approximate Dimensions						Approximate Weight	
		Length		Width		Height			
Type	Model	in.	mm	in.	mm	in.	mm	lbs.	kgs
Single	AF-1000	28	700	11	280	20	500	49	22
Single with Loader	AF-1000L					22	560	66	30
Dual	AF-2-1000	40	1010	11	280	20	500	99	45
Dual with Loaders	AF-2-1000L					22	560	132	60
Mounting Flange		5.5	140	5.5	140	N/A			

AF-1000 Feed Screw Selection Chart

Dosing Screw		Availability	Feed Rates ¹	
Screw	Screw No.		Minimum grams/hour (lbs./hour)	Maximum grams/hour (lbs./hour)
Micro	0	ALL	2 pellets per shot	200 (0.44)
Low	1		100 (0.22)	3500 (7.7)
Medium	2		400 (0.88)	10,000 (22)
High	3		600 (1.32)	20,000 (44)
Extra	4A		1000 (2.20)	35,000 (77)

¹ Feed rates based on color concentrate pellets @ 42 lbs./ft.³ (0.7 g/cc)