



SD SMALL DRYING HOPPERS

SD Series drying hoppers are available in machine-mount and floor-mount configurations. They feature unique mass-flow design, full hopper insulation, and slide gate shut-off. Large door allows for easy cleanout.

STANDARD FEATURES

- Unique mass flow design
- Stainless steel construction (inside and out)
- Hinged access door (3.0 cu. ft. [85 liter] and larger models). Hinged access door on 1.7 cu. ft. [50 liter] model is optional
- Dual-wall insulated cylinder and cone section
- Slide gate
- Extended length sight glass on the hopper door

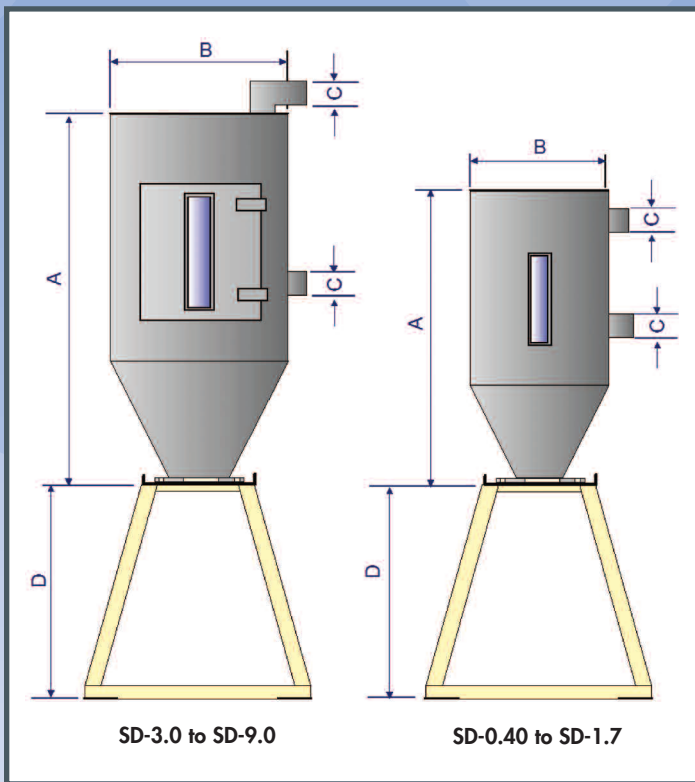
OPTIONAL FEATURES

- Handle kit with casters for floor stand (SD 0.40 - SD 9.0 floor-mount models only)
- Floor stand (less casters)
- Cart to mount 1 drying hopper and 1 AD/ASD/AC/ACM Series dryer
- Cover selections: SRC/SLC, SRH/SRL, manual fill, or blank
- Hopper loader mounting bracket
- Gaylord fill stand, including slide gate. Requires 50" (127 cm) clearance
- Adjustable proximity switch
- Flange with special mounting holes
- Cover with special bolt pattern
- Drain port (standard for machine mount units)





Drying Hopper	A	B	C	D
SD-0.40	18	11	1.5	25
SD-0.85	25	14	2 1/2	25
SD-1.7	34	14	2 1/2	25
SD-3.0	38	22	2 1/2	25
SD-4.0	44	22	2 1/2	25
SD-6.0	56	22	2 1/2	25
SD-9.0	68	22	2 1/2	25



PORTABLE CARTS

Portable carts are available to mount 1 drying hopper to an AD, ACM or ASD cabinet-style dryer.

4" diameter heavy-duty casters are standard on portable carts. Specify square slide gate with or without 10" TOC adapter.

ADDITIONAL FEATURES

- Smooth surface
- No material hangups
- Easy to clean
- Large access door with sight glass



www.aecinternet.com
aecweb@corpemail.com

AEC is committed to a continuing program of product improvement. Specifications, appearances and dimensions are subject to change without notice.
 © 2011 AEC Bulletin WH1-140.5 Printed in USA



SD SMALL DRYING HOPPERS



Global Headquarters:

AEC Schaumburg
 1100 E. Woodfield Rd
 #588
 Schaumburg, IL 60173
 Tel: +1 847 273 7700
 Fax: +1 847 273 7804

AEC New Berlin
 2900 S. 160th Street
 New Berlin, WI 53151
 Tel: +1 262 641 8610
 Fax: +1 262 641 8653



AEC Suzhou
 109 Xingpu Road SIP
 Suzhou, China 215126
 Tel: +86 512 8717 1919
 Fax: +86 512 8717 1916



AEC Warsaw
 ul.Dziakowa 115
 02-234 Warszawa
 Tel: + 48 22 390 9720
 Fax: + 48 22 390 9724



AEC India
 Regus, Level 2, Connaught Place
 Bund Garden Road, Pune 41100,
 India
 Tel: +91 20 4014 7575/40147615
 Fax: +91 93 7115 4045