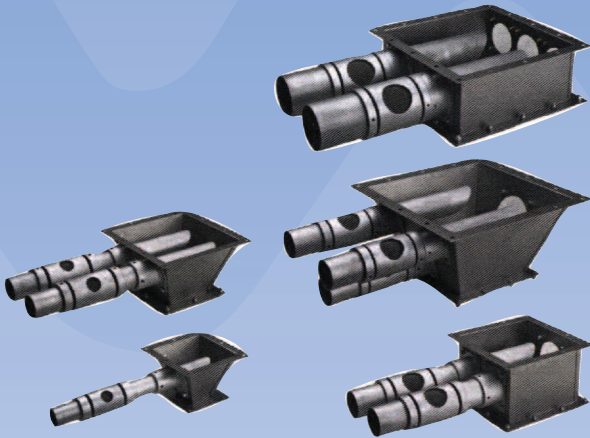




# Whitlock®

PROVIDING SOLUTIONS, NOT JUST EQUIPMENT



## MTO TAKE-OFF BOXES

Modular take-off boxes from AEC are designed for free-flowing materials and provide durable construction in a simple, modular design. The MTO Series take-off boxes feature stainless steel construction with lightweight aluminum tube assemblies. The versatile modular design is compatible with a wide range of applications and allows for easy assembly and cleanout.

MTO take-off boxes are available in single or multiple line configurations. Models include complete clean-out type with tapered bottom, or box type, which provides various material line take-off configurations. All compartments have adjustable tubes or air/material balancing and a filter for air inlets.

MDT dual tube models are designed for regrind and non free-flowing material, such as flakes or powders. This type of box should also be used when conveying any type of material over 200 equivalent feet.

## STANDARD FEATURES

- Stainless steel box
- Material viewport on body styles A, B, and C
- Available sizes: 16" (406 mm), 10" (254 mm), and 7" (178 mm) – square flanges (7" box is not available on MDT models)

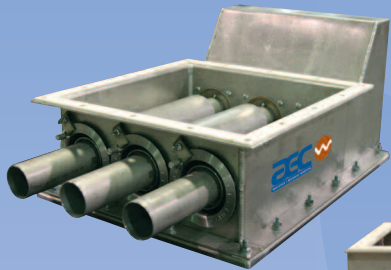
## OPTIONAL FEATURES

- Material clean-out gate on bottom of box
- Blank plate on bottom of box
- Adapter plate to mate to 7" x 7" or 9" x 9 square flange drying hoppers
- Take-off tubes: 1.5", 2", 2.5", 3", 3.5", 4"



MTO AND MDT TAKE-OFF BOXES

[www.aecinternet.com](http://www.aecinternet.com)



FEVTO Series



EVTO Series

## TAKE-OFF COMPARTMENTS

FCO Series fast clean-out vacuum take-off compartments meter free-flowing pellets into a vacuum conveying system.

FEVTO and EVTO filtered expandable and expandable vacuum take-off compartments are ideal for metering regrind and PVC, and for distances greater than 200 feet.

## OPTIONS

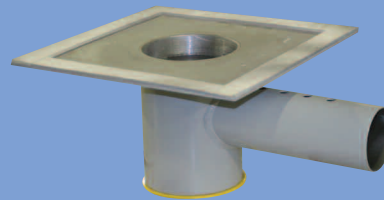
- Material cleanout gate (FEVTO, EVTO models)
- Dry air conveying tube stub
- Flange adapters
- Drain gate (FEVTO, EVTO models)

## FCO STANDARD FEATURES

- Standard conveying with ambient air
- Mild or stainless steel construction
- 10" square flange
- Fast cleanout design
- Single position
- 1.25", 1.5", 2.0", 2.5", 3.0" tube size

## FEVTO/EVTO STANDARD FEATURES

- Standard conveying with ambient air
- Aluminum construction
- 16" square mounting flange
- 3 tubes
- 1.5", 2.0", 2.25", 2.5" OD tube sizes
- Expandable up to nine tubes using EVTO sections



FCO Series

[www.aecinternet.com](http://www.aecinternet.com)  
[aecweb@corpemail.com](mailto:aecweb@corpemail.com)

AEC is committed to a continuing program of product improvement. Specifications, appearances and dimensions are subject to change without notice.  
 © 2011 AEC Bulletin WH2-205C.5 Printed in USA



## MTO AND MDT TAKE-OFF BOXES



**Global Headquarters:**

**AEC Schaumburg**  
 1100 E. Woodfield Rd  
 #588  
 Schaumburg, IL 60173  
 Tel: +1 847 273 7700  
 Fax: +1 847 273 7804

**AEC New Berlin**  
 2900 S. 160th Street  
 New Berlin, WI 53151  
 Tel: +1 262 641 8610  
 Fax: +1 262 641 8653



**AEC Suzhou**  
 109 Xingpu Road SIP  
 Suzhou, China 215126  
 Tel: +86 512 8717 1919  
 Fax: +86 512 8717 1916



**AEC Warsaw**  
 ul.Dziakowa 115  
 02-234 Warszawa  
 Tel: + 48 22 390 9720  
 Fax: + 48 22 390 9724



**AEC India**  
 Regus, Level 2, Connaught Place  
 Bund Garden Road, Pune 41100,  
 India  
 Tel: +91 20 4014 7575/40147615  
 Fax: +91 93 7115 4045